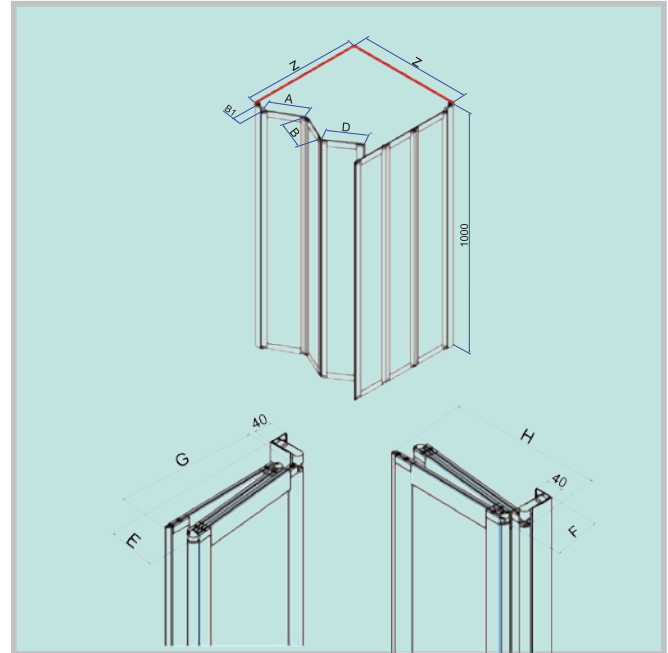


# BOX8080100L - BOX9090100L

## SHOWER BOX



REVERSIBLE  
OPENING  
FOR SIDE



EXTENSIVITY AND  
OUT OF SQUARE  
ADJUSTMENT



CUSHIONED  
MAGNETIC  
CLOSURE



DOOR LIFTING  
DURING  
OPENING-CLOSING



POLYSTYRENE  
PANELS



SUITABLE FOR  
DISABLED  
PEOPLE



GOOD WATER  
RESISTANCE

### DESCRIPTION

Shower enclosure with two-sided corner, with folding doors that fold both inside and outside, with 180° joints.




Solution dedicated to particular targets, for example for the elderly and disabled.

Aluminum profile finish.

Polystyrene panel finish.

Installation on two walls.

### SIZE

Item	Extensibility Z [cm]	Height [cm]	A [cm]	B [cm]	B1 [cm]	D [cm]	E [cm]	F [cm]	G [cm]	H [cm]	 [dm <sup>3</sup> ]	 [kg]	 [n°]
BOX8080100L	76-80	100	23,5	21,5	6,8-10,8	23,5	9,5-13,5	9,5-13,5	25,5	27	51	12	1
BOX9090100L	88-92	100	27,5	25,5	6,8-10,8	27,5	9,5-13,5	9,5-13,5	29,5	31	59	14	1

### COLOR

White

### CERTIFICATIONS

ISO 9001:2015 Quality Certification issued by TÜV Italia S.r.l.

MPS reserves the right to make any changes deemed necessary to improve the products without prior notice.