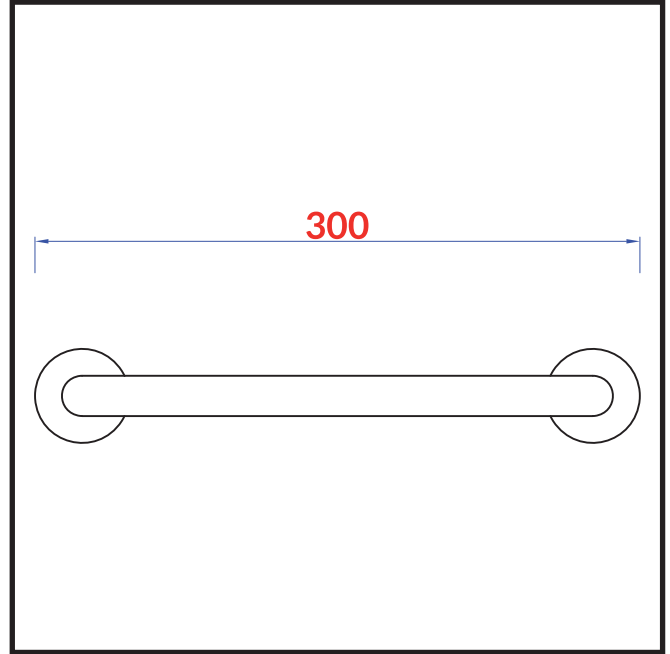
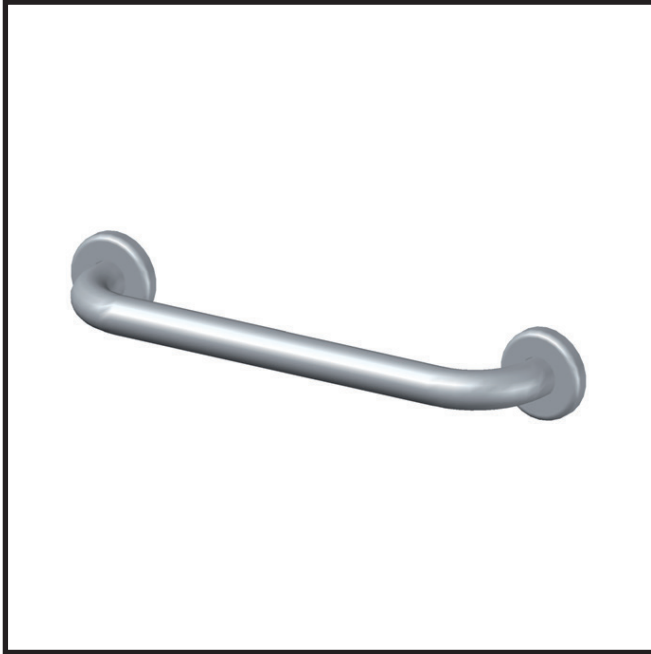


DATA SHEET

MF3002A

FIXED HANDLE WITH 2 FIXING POINTS 300 mm.



DESCRIPTION

Fixed handle in iron coated with epoxy powders. Tube diameter 30 mm and thickness 1.5 mm. Galvanized flange with 3 holes for wall fixing, diameter 70 mm. Flange cover in metal coated with epoxy powders. It does not require maintenance and is easy to clean, even with detergent products.

RANGE

Load 150 kg.

MEASURES

Including 300 mm rosettes.

COLOR

White - RAL 9010

CERTIFICATIONS

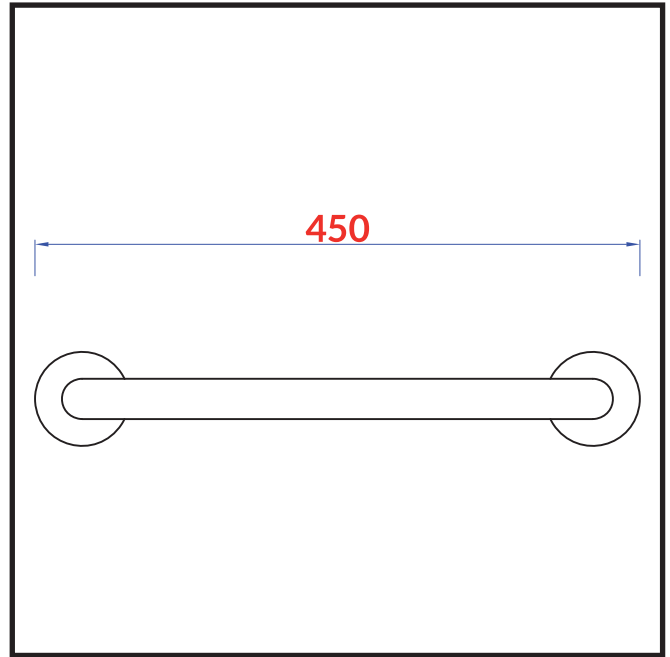
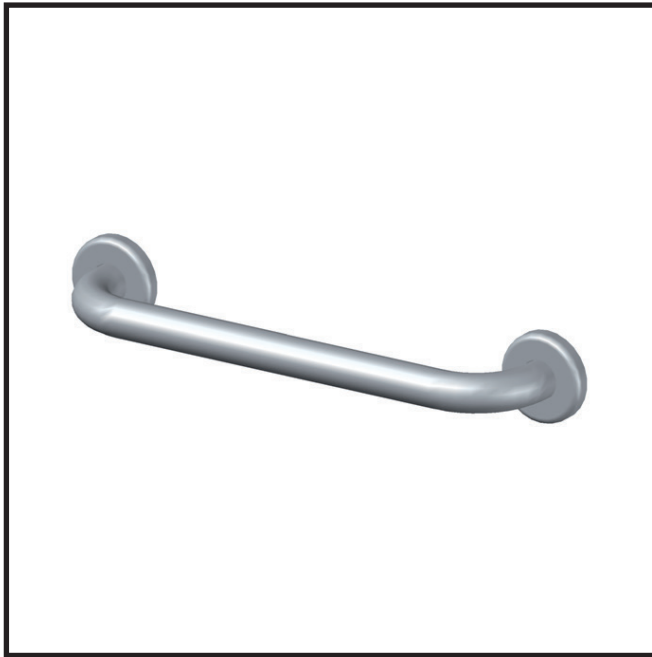
ISO 9001:2015 Quality Certification issued by TÜV Italia S.r.l.

MPS reserves the right to make any changes deemed necessary to improve the products without prior notice.

DATA SHEET

MF4502A

FIXED HANDLE WITH 2 FIXING POINTS 450 mm.



DESCRIPTION

Fixed handle in iron coated with epoxy powders. Tube diameter 30 mm and thickness 1.5 mm. Galvanized flange with 3 holes for wall fixing, diameter 70 mm. Flange cover in metal coated with epoxy powders. It does not require maintenance and is easy to clean, even with detergent products.

RANGE

Load 150 kg.

MEASURES

Including 450 mm. rosettes.

COLOR

White - RAL 9010

CERTIFICATIONS

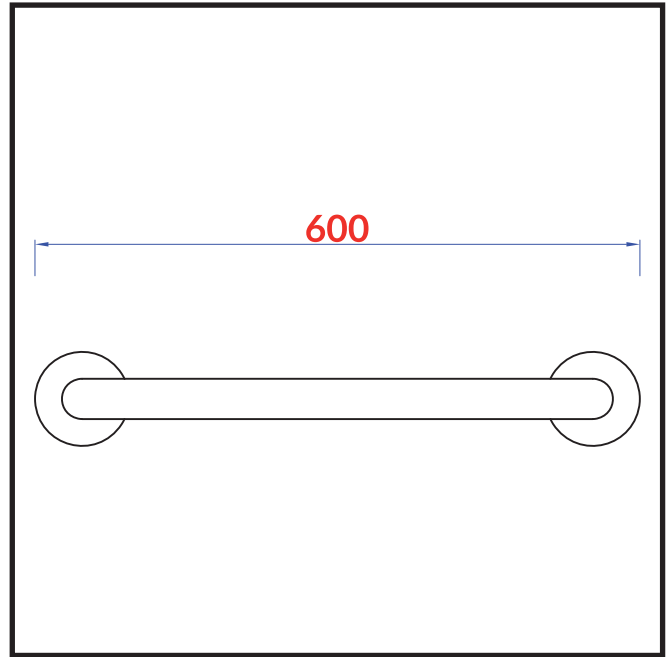
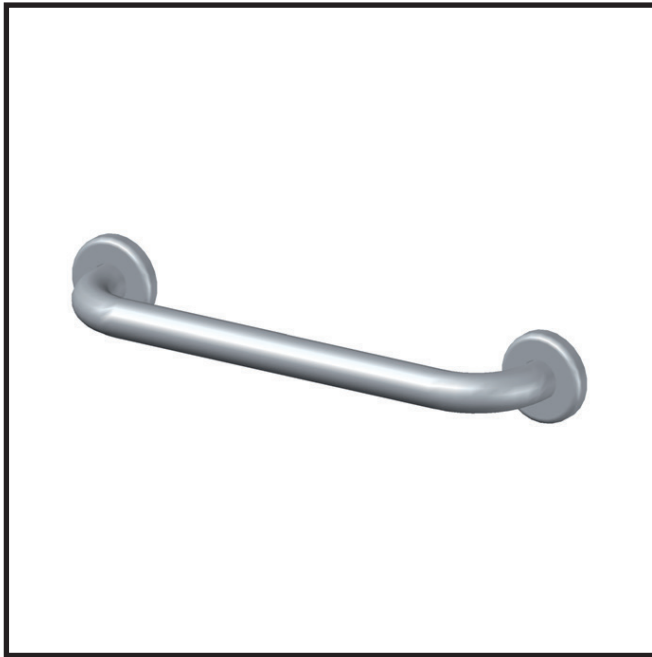
ISO 9001:2015 Quality Certification issued by TÜV Italia S.r.l.

MPS reserves the right to make any changes deemed necessary to improve the products without prior notice.

DATA SHEET

MF6002A

FIXED HANDLE WITH 2 FIXING POINTS 600 mm.



DESCRIPTION

Fixed handle in iron coated with epoxy powders. Tube diameter 30 mm and thickness 1.5 mm. Galvanized flange with 3 holes for wall fixing, diameter 70 mm. Flange cover in metal coated with epoxy powders. It does not require maintenance and is easy to clean, even with detergent products.

RANGE

Load 150 kg.

MEASURES

Including 600 mm. rosettes.

COLOR

White - RAL 9010

CERTIFICATIONS

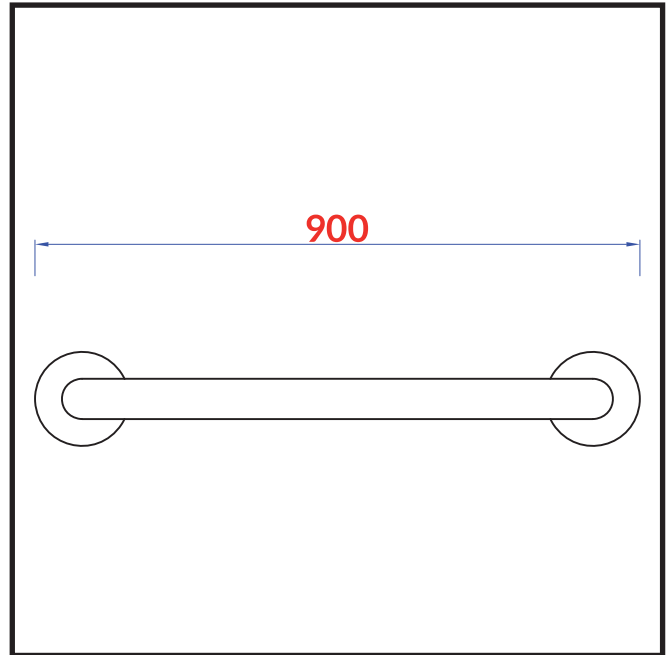
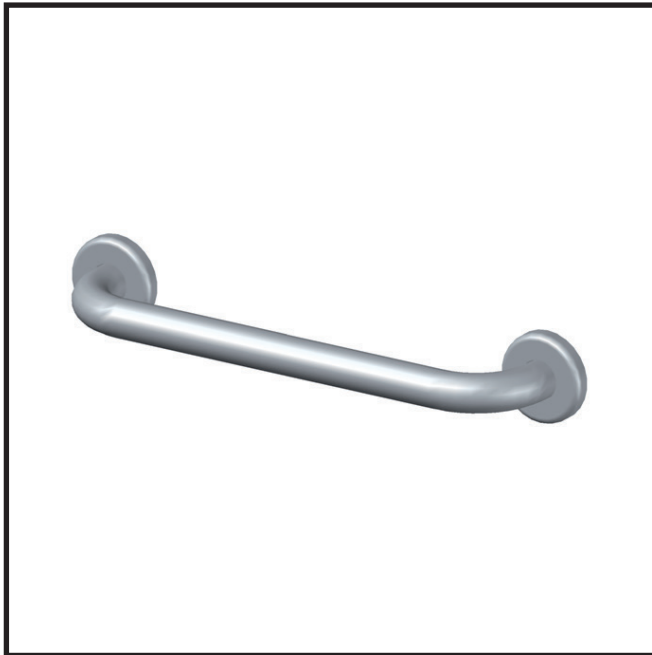
ISO 9001:2015 Quality Certification issued by TÜV Italia S.r.l.

MPS reserves the right to make any changes deemed necessary to improve the products without prior notice.

DATA SHEET

MF9002A

FIXED HANDLE WITH 2 FIXING POINTS 900 mm.



DESCRIPTION

Fixed handle in iron coated with epoxy powders. Tube diameter 30 mm and thickness 1.5 mm. Galvanized flange with 3 holes for wall fixing, diameter 70 mm. Flange cover in metal coated with epoxy powders. It does not require maintenance and is easy to clean, even with detergent products.

RANGE

Load 150 kg.

MEASURES

Including 900 mm. rosettes.

COLOR

White - RAL 9010

CERTIFICATIONS

ISO 9001:2015 Quality Certification issued by TÜV Italia S.r.l.

MPS reserves the right to make any changes deemed necessary to improve the products without prior notice.