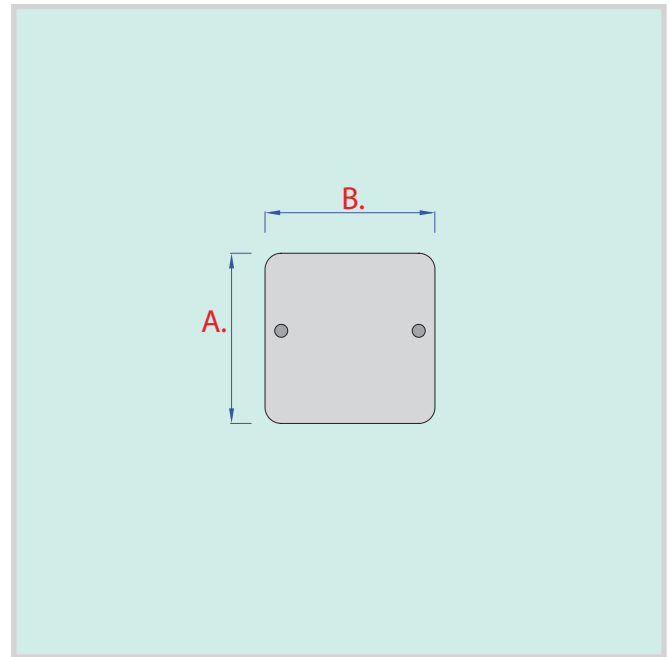


# PP1105KP2

FLAT PLATE ON THE WALL



## DESCRIPTION

Environmental signposting with flat plate made of Plexiglass with rounded corners. Compartment wall spacers, with concealed screw fixing system. Direct print or print on adhesive.

## SIZE

A. 105 x B. 105 mm.

## COLOR

Glossy transparent with chrome spacers - Other colors and size on demand.

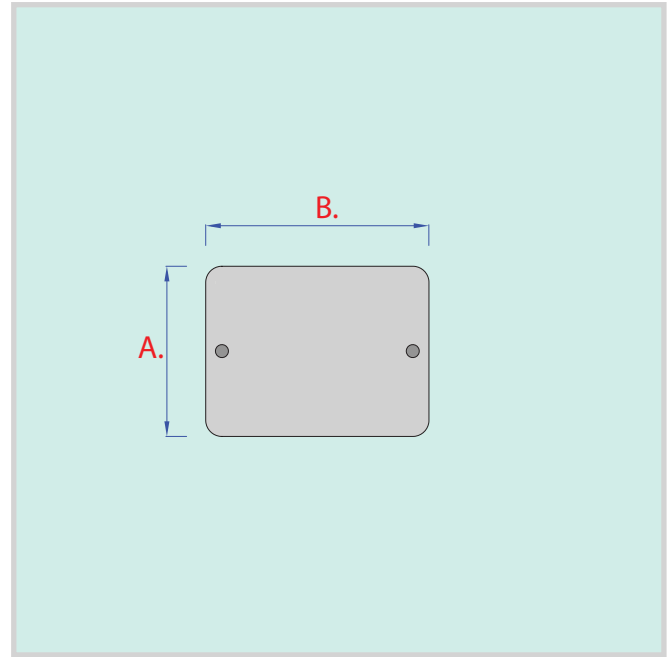
## CERTIFICATIONS

ISO 9001:2015 quality certification issued by TÜV Italia S.r.l.

MPS reserves the right to modify products without previous advice.

# PP1148KP2

FLAT PLATE ON THE WALL



## DESCRIPTION

Environmental signposting with flat plate made of Plexiglass with rounded corners. Compartment wall spacers, with concealed screw fixing system. Direct print or print on adhesive.

## SIZE

A. 105 x B. 148 mm.

## COLOR

Glossy transparent with chrome spacers - Other colors and size on demand.

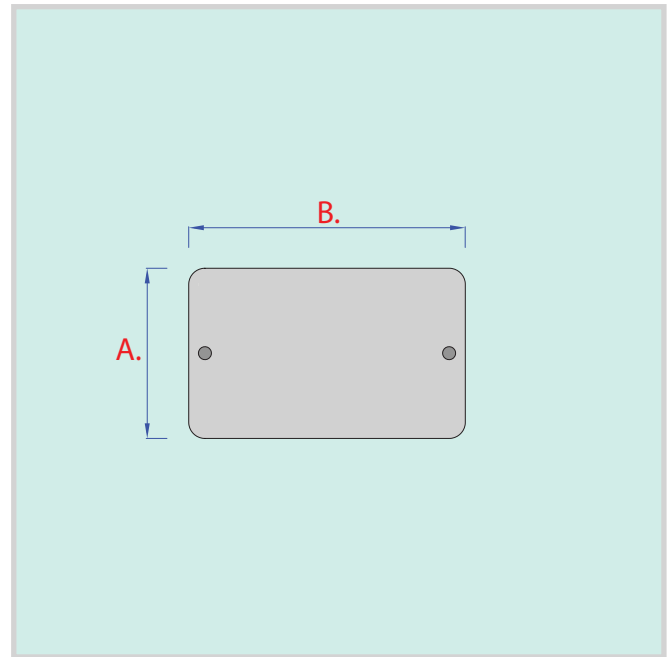
## CERTIFICATIONS

ISO 9001:2015 quality certification issued by TÜV Italia S.r.l.

MPS reserves the right to modify products without previous advice.

# PP1210KP2

FLAT PLATE ON THE WALL



## DESCRIPTION

Environmental signposting with flat plate made of Plexiglass with rounded corners. Compartment wall spacers, with concealed screw fixing system. Direct print or print on adhesive.

## SIZE

A. 105 x B. 210 mm.

## COLOR

Glossy transparent with chrome spacers - Other colors and size on demand.

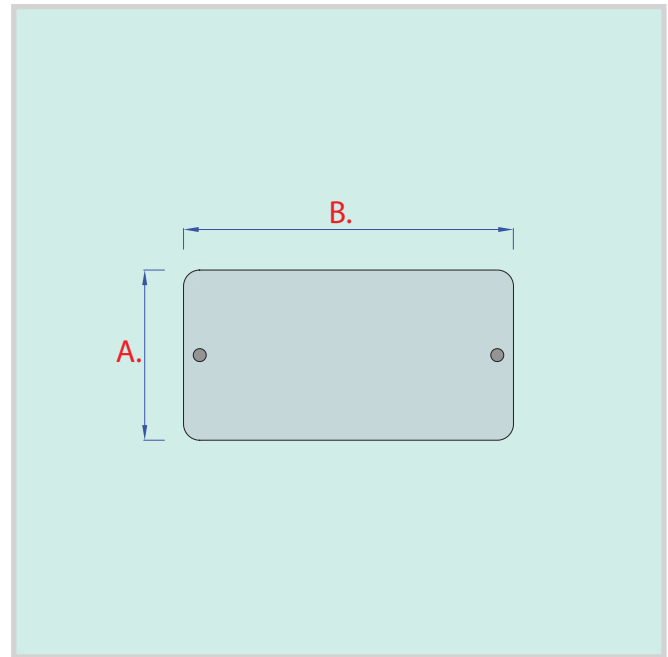
## CERTIFICATIONS

ISO 9001:2015 quality certification issued by TÜV Italia S.r.l.

MPS reserves the right to modify products without previous advice.

# PP1297KP2

FLAT PLATE ON THE WALL



## DESCRIPTION

Environmental signposting with flat plate made of Plexiglass with rounded corners. Compartment wall spacers, with concealed screw fixing system. Direct print or print on adhesive.

## SIZE

A. 105 x B. 297 mm.

## COLOR

Glossy transparent with chrome spacers - Other colors and size on demand.

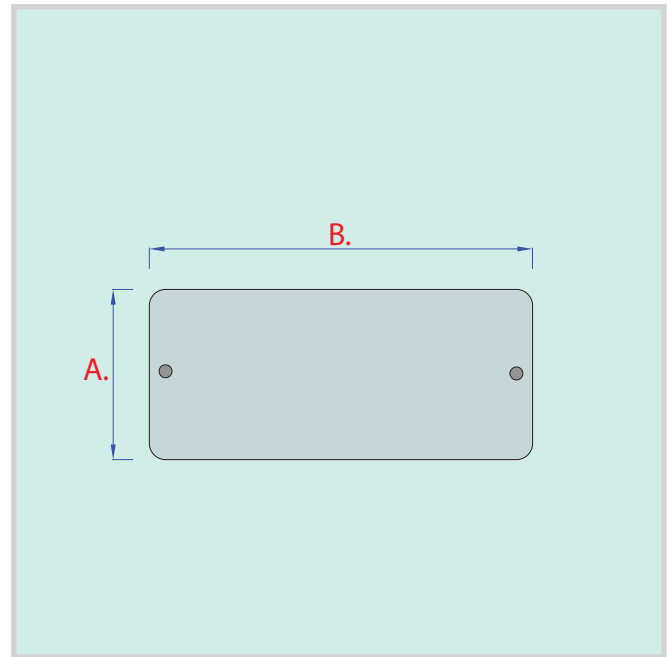
## CERTIFICATIONS

ISO 9001:2015 quality certification issued by TÜV Italia S.r.l.

MPS reserves the right to modify products without previous advice.

# PP1420KP2

FLAT PLATE ON THE WALL



## DESCRIPTION

Environmental signposting with flat plate made of Plexiglass with rounded corners. Compartment wall spacers, with concealed screw fixing system. Direct print or print on adhesive.

## SIZE

A. 105 x B. 420 mm.

## COLOR

Glossy transparent with chrome spacers - Other colors and size on demand.

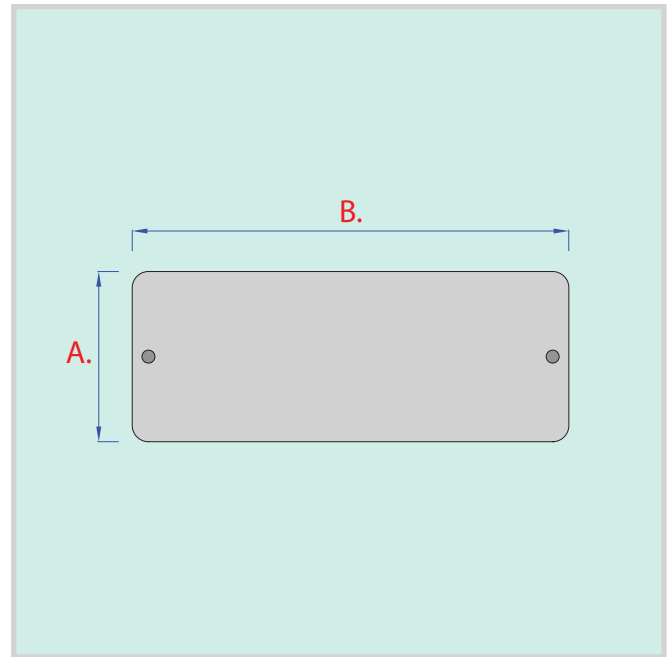
## CERTIFICATIONS

ISO 9001:2015 quality certification issued byTÜV Italia S.r.l.

MPS reserves the right to modify products without previous advice.

# PP1594KP2

FLAT PLATE ON THE WALL



## DESCRIPTION

Environmental signposting with flat plate made of Plexiglass with rounded corners. Compartment wall spacers, with concealed screw fixing system. Direct print or print on adhesive.

## SIZE

A. 105 x B. 594 mm.

## COLOR

Glossy transparent with chrome spacers - Other colors and size on demand.

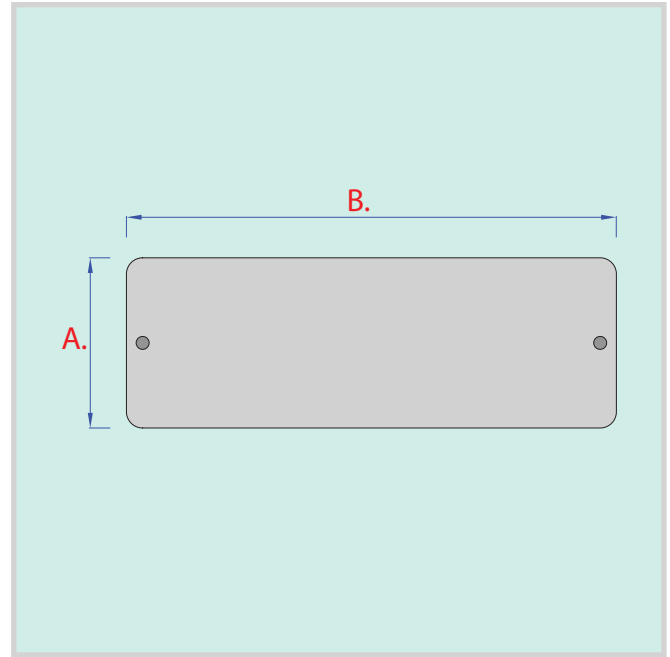
## CERTIFICATIONS

ISO 9001:2015 quality certification issued byTÜV Italia S.r.l.

MPS reserves the right to modify products without previous advice.

# PP1841KP2

FLAT PLATE ON THE WALL



## DESCRIPTION

Environmental signposting with flat plate made of Plexiglass with rounded corners. Compartment wall spacers, with concealed screw fixing system. Direct print or print on adhesive.

## SIZE

A. 105 x B. 841 mm.

## COLOR

Glossy transparent with chrome spacers - Other colors and size on demand.

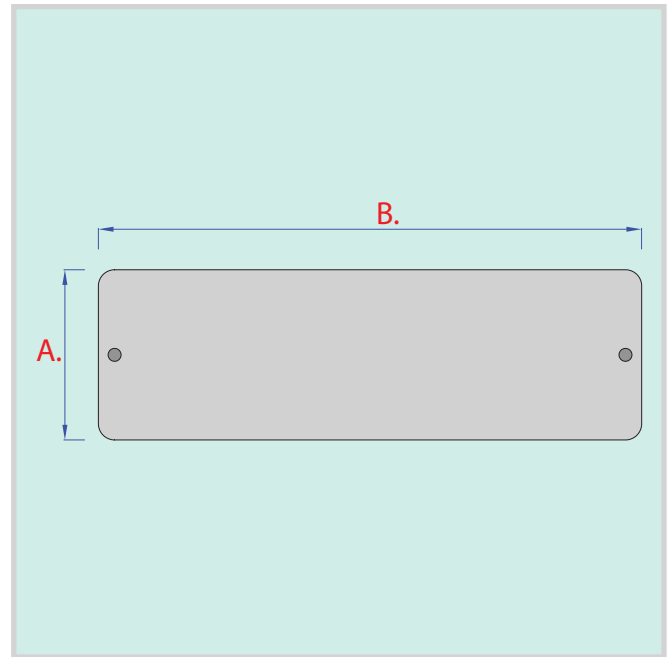
## CERTIFICATIONS

ISO 9001:2015 quality certification issued by TÜV Italia S.r.l.

MPS reserves the right to modify products without previous advice.

# PP11000KP2

FLAT PLATE ON THE WALL



## DESCRIPTION

Environmental signposting with flat plate made of Plexiglass with rounded corners. Compartment wall spacers, with concealed screw fixing system. Direct print or print on adhesive.

## SIZE

A. 105 x B. 1000 mm.

## COLOR

Glossy transparent with chrome spacers - Other colors and size on demand.

## CERTIFICATIONS

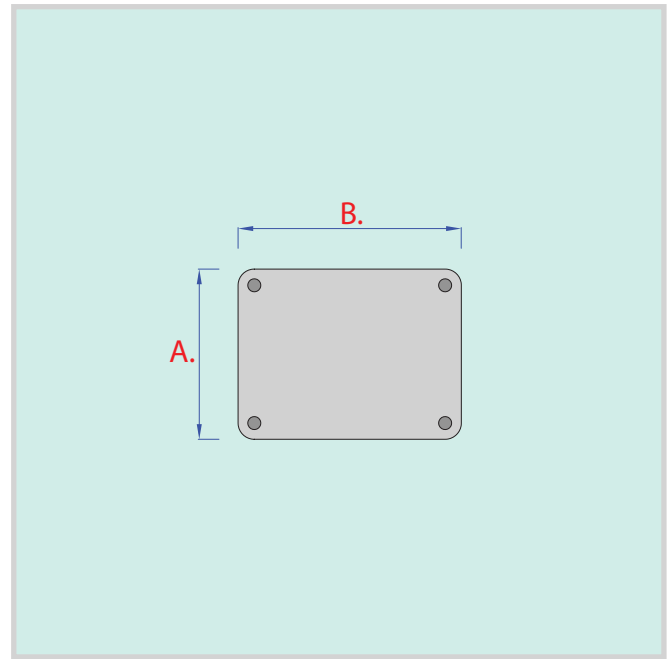
ISO 9001:2015 quality certification issued by TÜV Italia S.r.l.

MPS reserves the right to modify products without previous advice.



# PP2148KP4

FLAT PLATE ON THE WALL



## DESCRIPTION

Environmental signposting with flat plate made of Plexiglass with rounded corners. Compartment wall spacers, with concealed screw fixing system. Direct print or print on adhesive.

## SIZE

A. 148 x B. 148 mm.

## COLOR

Glossy transparent with chrome spacers - Other colors and size on demand.

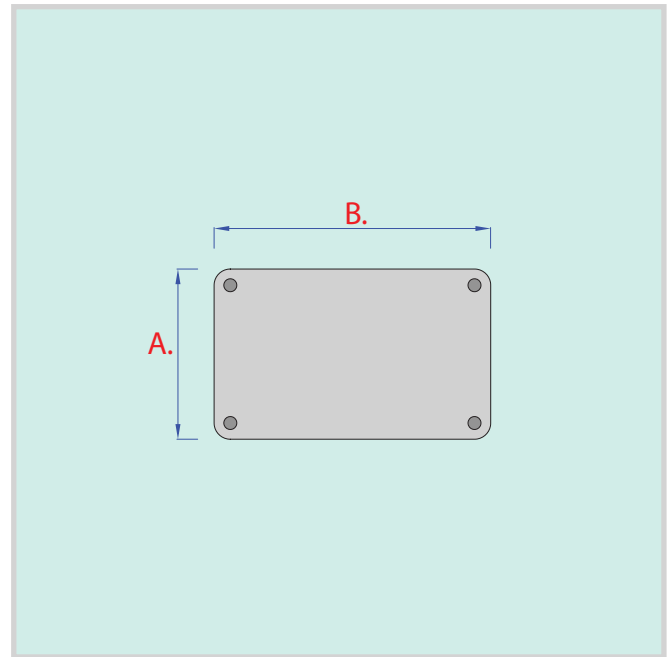
## CERTIFICATIONS

ISO 9001:2015 quality certification issued by TÜV Italia S.r.l.

MPS reserves the right to modify products without previous advice.

# PP2210KP4

FLAT PLATE ON THE WALL



## DESCRIPTION

Environmental signposting with flat plate made of Plexiglass with rounded corners. Compartment wall spacers, with concealed screw fixing system. Direct print or print on adhesive.

## SIZE

A. 148 x B. 210 mm.

## COLOR

Glossy transparent with chrome spacers - Other colors and size on demand.

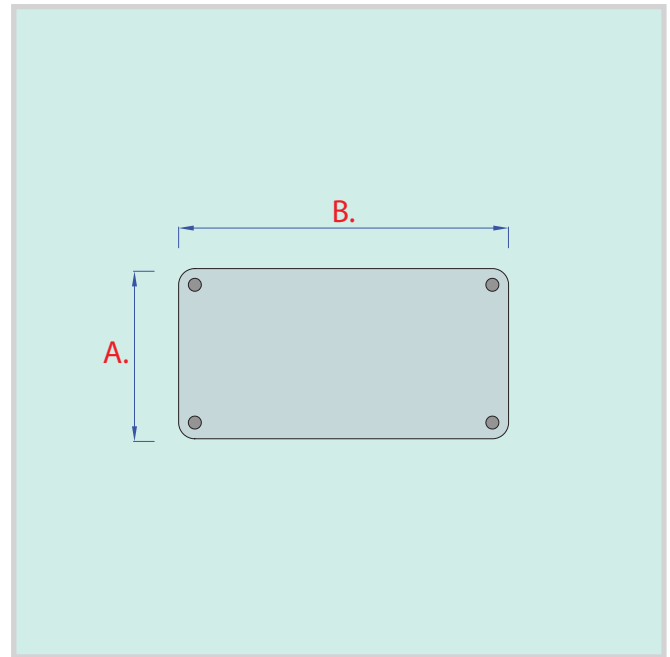
## CERTIFICATIONS

ISO 9001:2015 quality certification issued by TÜV Italia S.r.l.

MPS reserves the right to modify products without previous advice.

# PP2297KP4

FLAT PLATE ON THE WALL



## DESCRIPTION

Environmental signposting with flat plate made of Plexiglass with rounded corners. Compartment wall spacers, with concealed screw fixing system. Direct print or print on adhesive.

## SIZE

A. 148 x B. 297 mm.

## COLOR

Glossy transparent with chrome spacers - Other colors and size on demand.

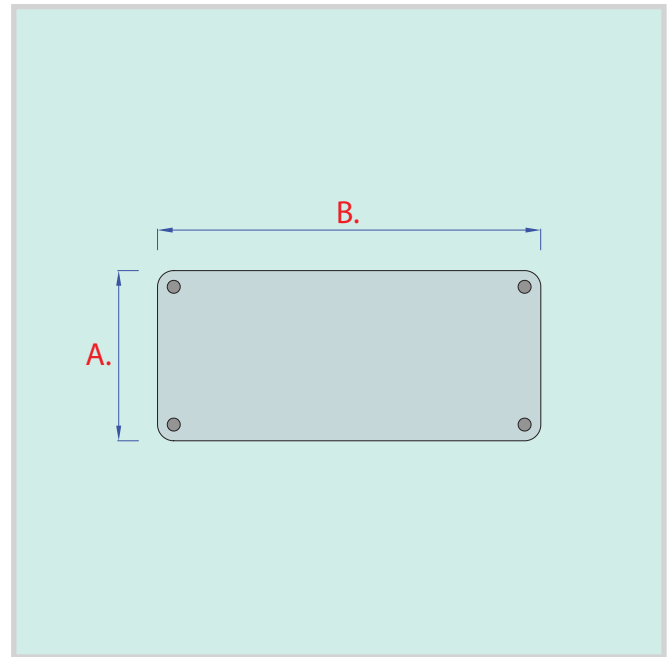
## CERTIFICATIONS

ISO 9001:2015 quality certification issued by TÜV Italia S.r.l.

MPS reserves the right to modify products without previous advice.

# PP2420KP4

FLAT PLATE ON THE WALL



## DESCRIPTION

Environmental signposting with flat plate made of Plexiglass with rounded corners. Compartment wall spacers, with concealed screw fixing system. Direct print or print on adhesive.

## SIZE

A. 148 x B. 420 mm.

## COLOR

Glossy transparent with chrome spacers - Other colors and size on demand.

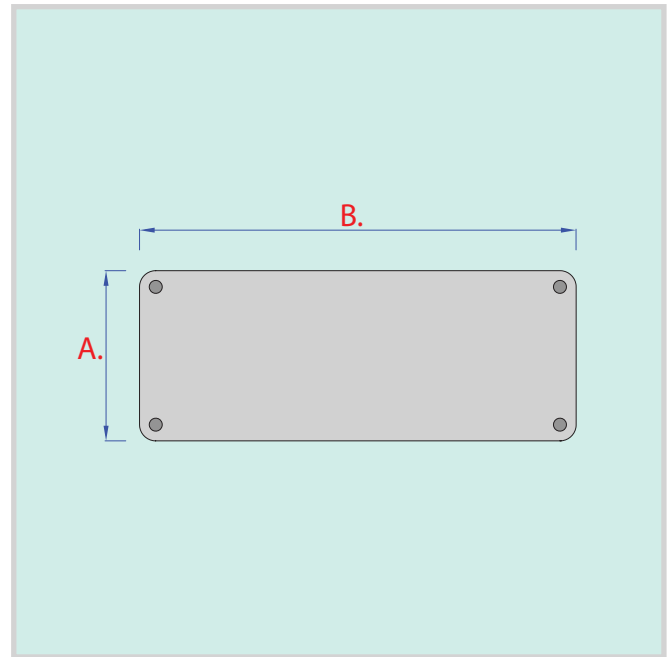
## CERTIFICATIONS

ISO 9001:2015 quality certification issued by TÜV Italia S.r.l.

MPS reserves the right to modify products without previous advice.

# PP2594KP4

FLAT PLATE ON THE WALL



## DESCRIPTION

Environmental signposting with flat plate made of Plexiglass with rounded corners. Compartment wall spacers, with concealed screw fixing system. Direct print or print on adhesive.

## SIZE

A 148 x B. 594 mm.

## COLOR

Glossy transparent with chrome spacers - Other colors and size on demand.

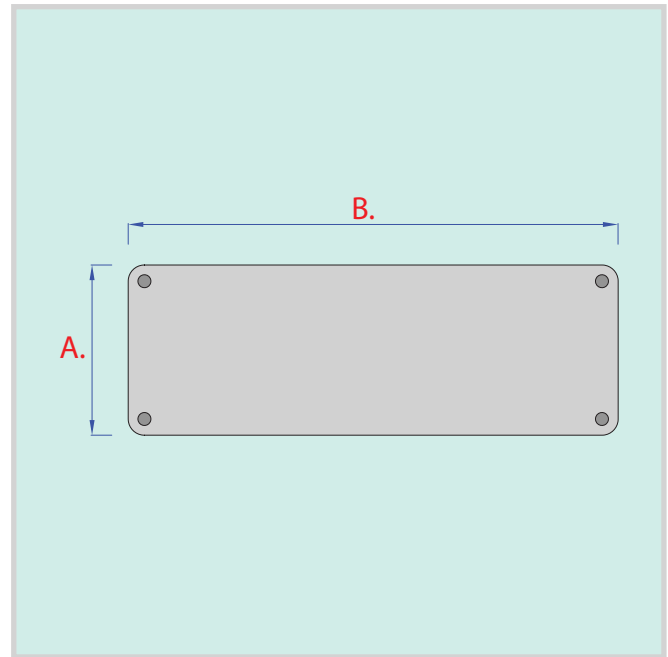
## CERTIFICATIONS

ISO 9001:2015 quality certification issued byTÜV Italia S.r.l.

MPS reserves the right to modify products without previous advice.

# PP2841KP4

FLAT PLATE ON THE WALL



## DESCRIPTION

Environmental signposting with flat plate made of Plexiglass with rounded corners. Compartment wall spacers, with concealed screw fixing system. Direct print or print on adhesive.

## SIZE

A. 148 x B. 841 mm.

## COLOR

Glossy transparent with chrome spacers - Other colors and size on demand.

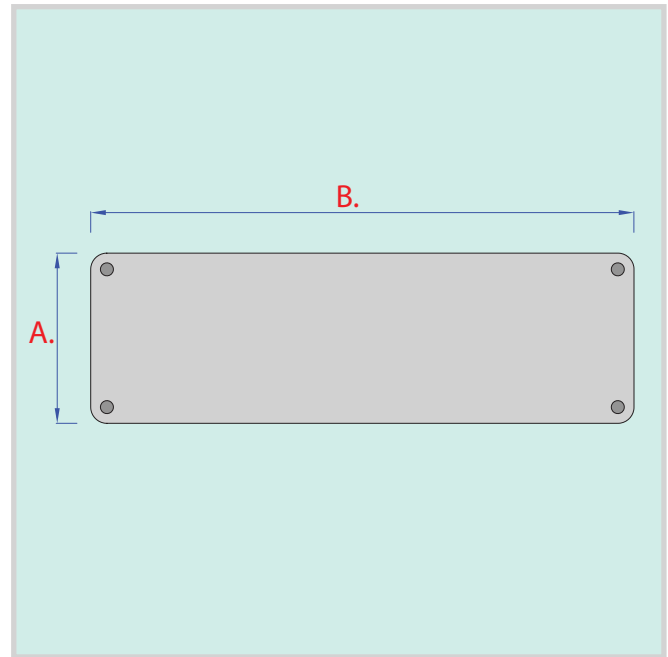
## CERTIFICATIONS

ISO 9001:2015 quality certification issued by TÜV Italia S.r.l.

MPS reserves the right to modify products without previous advice.

# PP21000KP4

FLAT PLATE ON THE WALL



## DESCRIPTION

Environmental signposting with flat plate made of Plexiglass with rounded corners. Compartment wall spacers, with concealed screw fixing system. Direct print or print on adhesive.

## SIZE

A. 148 x B. 1000 mm.

## COLOR

Glossy transparent with chrome spacers - Other colors and size on demand.

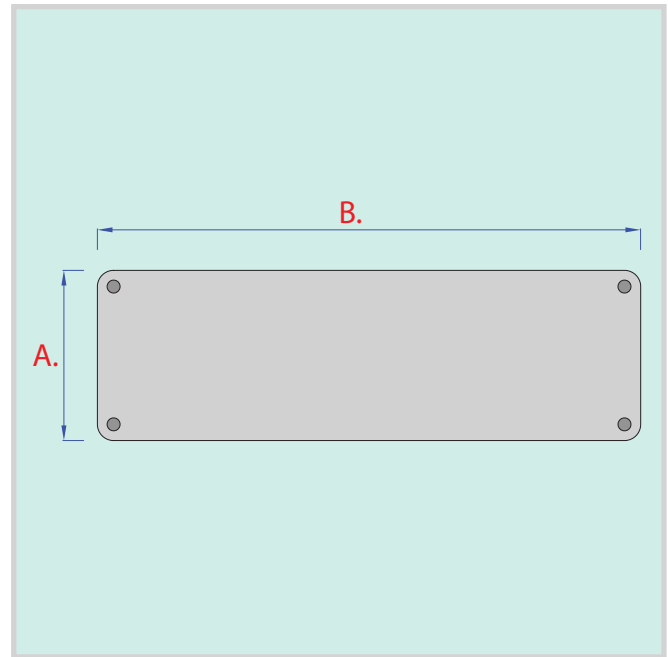
## CERTIFICATIONS

ISO 9001:2015 quality certification issued by TÜV Italia S.r.l.

MPS reserves the right to modify products without previous advice.

# PP21189KP4

FLAT PLATE ON THE WALL



## DESCRIPTION

Environmental signposting with flat plate made of Plexiglass with rounded corners. Compartment wall spacers, with concealed screw fixing system. Direct print or print on adhesive.

## SIZE

A. 148 x B. 1189 mm.

## COLOR

Glossy transparent with chrome spacers - Other colors and size on demand.

## CERTIFICATIONS

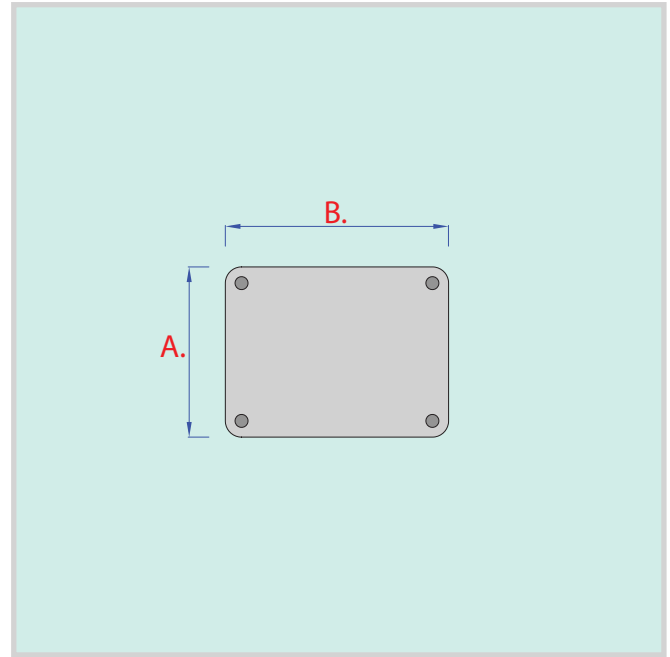
ISO 9001:2015 quality certification issued by TÜV Italia S.r.l.

MPS reserves the right to modify products without previous advice.



# PP3210KP4

FLAT PLATE ON THE WALL



## DESCRIPTION

Environmental signposting with flat plate made of Plexiglass with rounded corners. Compartment wall spacers, with concealed screw fixing system. Direct print or print on adhesive.

## SIZE

A. 210 x B. 210 mm.

## COLOR

Glossy transparent with chrome spacers - Other colors and size on demand.

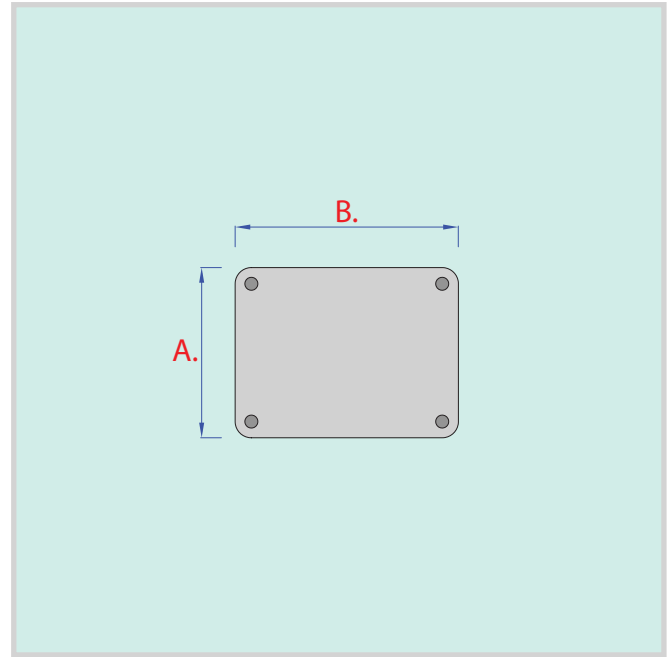
## CERTIFICATIONS

ISO 9001:2015 quality certification issued by TÜV Italia S.r.l.

MPS reserves the right to modify products without previous advice.

# PP3297KP4

## FLAT PLATE ON THE WALL



### DESCRIPTION

Environmental signposting with flat plate made of Plexiglass with rounded corners. Compartment wall spacers, with concealed screw fixing system. Direct print or print on adhesive.

### SIZE

A. 210 x B. 297 mm.

### COLOR

Glossy transparent with chrome spacers - Other colors and size on demand.

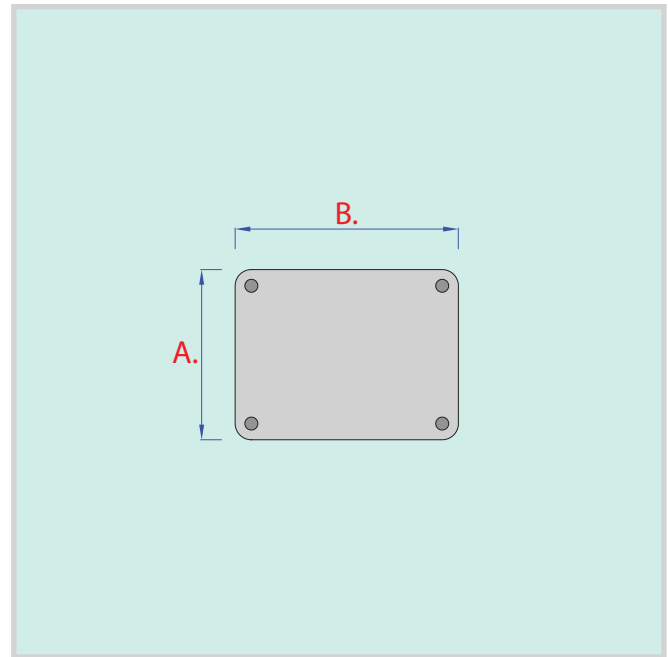
### CERTIFICATIONS

ISO 9001:2015 quality certification issued by TÜV Italia S.r.l.

MPS reserves the right to modify products without previous advice.

# PP3420KP4

FLAT PLATE ON THE WALL



## DESCRIPTION

Environmental signposting with flat plate made of Plexiglass with rounded corners. Compartment wall spacers, with concealed screw fixing system. Direct print or print on adhesive.

## SIZE

A. 210 x B. 297 mm.

## COLOR

Glossy transparent with chrome spacers - Other colors and size on demand.

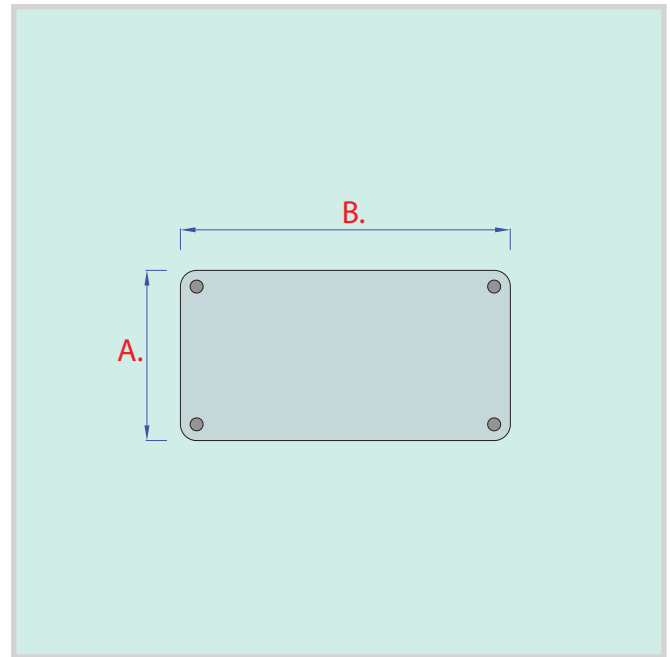
## CERTIFICATIONS

ISO 9001:2015 quality certification issued by TÜV Italia S.r.l.

MPS reserves the right to modify products without previous advice.

# PP3594KP4

FLAT PLATE ON THE WALL



## DESCRIPTION

Environmental signposting with flat plate made of Plexiglass with rounded corners. Compartment wall spacers, with concealed screw fixing system. Direct print or print on adhesive.

## SIZE

A. 210 x B. 594 mm.

## COLOR

Glossy transparent with chrome spacers - Other colors and size on demand.

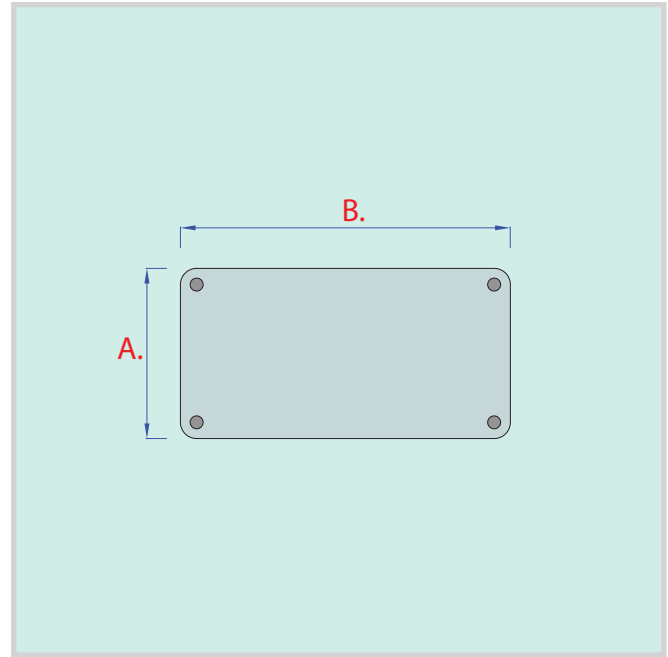
## CERTIFICATIONS

ISO 9001:2015 quality certification issued by TÜV Italia S.r.l.

MPS reserves the right to modify products without previous advice.

# PP3841KP4

FLAT PLATE ON THE WALL



## DESCRIPTION

Environmental signposting with flat plate made of Plexiglass with rounded corners. Compartment wall spacers, with concealed screw fixing system. Direct print or print on adhesive.

## SIZE

A. 210 x B. 594 mm.

## COLOR

Glossy transparent with chrome spacers - Other colors and size on demand.

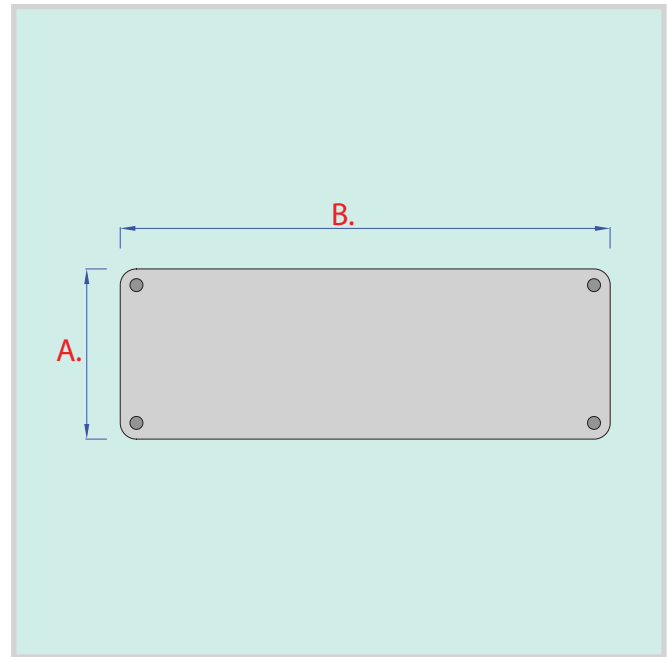
## CERTIFICATIONS

ISO 9001:2015 quality certification issued by TÜV Italia S.r.l.

MPS reserves the right to modify products without previous advice.

# PP31000KP4

FLAT PLATE ON THE WALL



## DESCRIPTION

Environmental signposting with flat plate made of Plexiglass with rounded corners. Compartment wall spacers, with concealed screw fixing system. Direct print or print on adhesive.

## SIZE

A. 210 x B. 1000 mm.

## COLOR

Glossy transparent with chrome spacers - Other colors and size on demand.

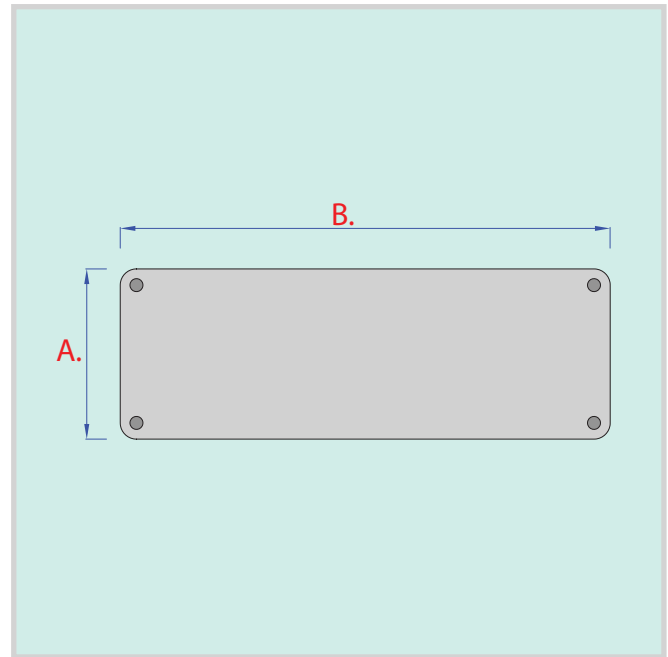
## CERTIFICATIONS

ISO 9001:2015 quality certification issued by TÜV Italia S.r.l.

MPS reserves the right to modify products without previous advice.

# PP31189KP4

FLAT PLATE ON THE WALL



## DESCRIPTION

Environmental signposting with flat plate made of Plexiglass with rounded corners. Compartment wall spacers, with concealed screw fixing system. Direct print or print on adhesive.

## SIZE

A. 210 x B. 1189 mm.

## COLOR

Glossy transparent with chrome spacers - Other colors and size on demand.

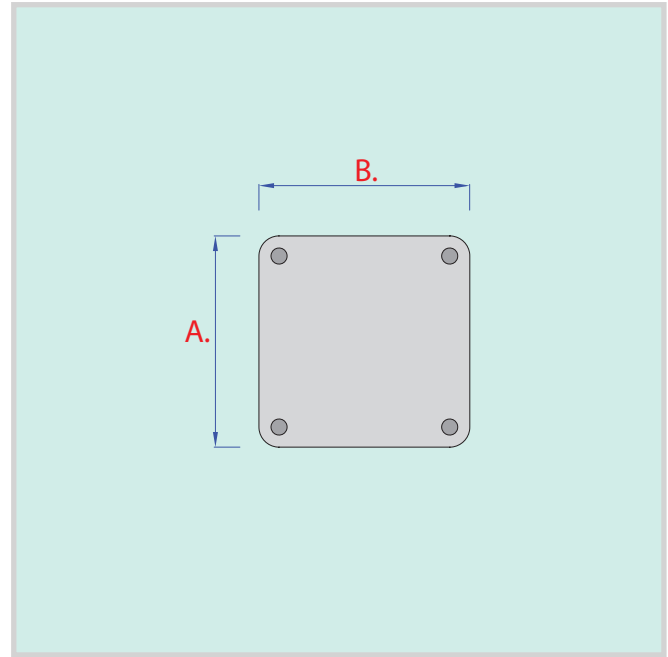
## CERTIFICATIONS

ISO 9001:2015 quality certification issued by TÜV Italia S.r.l.

MPS reserves the right to modify products without previous advice.

# PP4297KP4

FLAT PLATE ON THE WALL



## DESCRIPTION

Environmental signposting with flat plate made of Plexiglass with rounded corners. Compartment wall spacers, with concealed screw fixing system. Direct print or print on adhesive.

## SIZE

A. 297 x B. 297 mm.

## COLOR

Glossy transparent with chrome spacers - Other colors and size on demand.

## CERTIFICATIONS

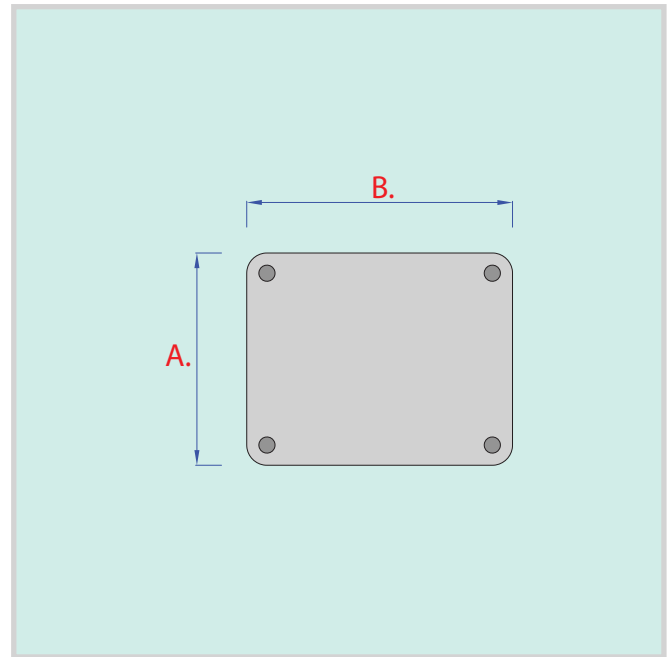
ISO 9001:2015 quality certification issued by TÜV Italia S.r.l.

MPS reserves the right to modify products without previous advice.



# PP4420KP4

FLAT PLATE ON THE WALL



## DESCRIPTION

Environmental signposting with flat plate made of Plexiglass with rounded corners. Compartment wall spacers, with concealed screw fixing system. Direct print or print on adhesive.

## SIZE

A. 297 x B. 420 mm.

## COLOR

Glossy transparent with chrome spacers - Other colors and size on demand.

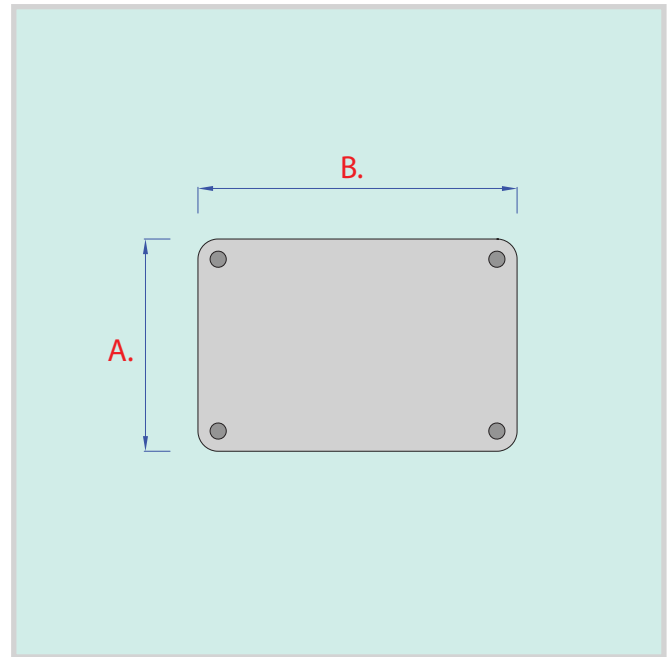
## CERTIFICATIONS

ISO 9001:2015 quality certification issued by TÜV Italia S.r.l.

MPS reserves the right to modify products without previous advice.

# PP4594KP4

## FLAT PLATE ON THE WALL



### DESCRIPTION

Environmental signposting with flat plate made of Plexiglass with rounded corners. Compartment wall spacers, with concealed screw fixing system. Direct print or print on adhesive.

### SIZE

A. 297 x B. 594 mm.

### COLOR

Glossy transparent with chrome spacers - Other colors and size on demand.

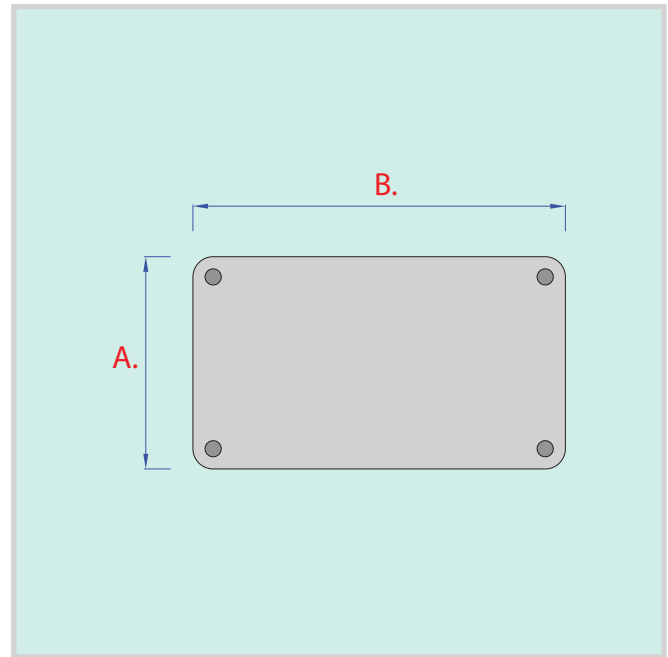
### CERTIFICATIONS

ISO 9001:2015 quality certification issued by TÜV Italia S.r.l.

MPS reserves the right to modify products without previous advice.

# PP4841KP4

## FLAT PLATE ON THE WALL



### DESCRIPTION

Environmental signposting with flat plate made of Plexiglass with rounded corners. Compartment wall spacers, with concealed screw fixing system. Direct print or print on adhesive.

### SIZE

A. 297 x B. 841 mm.

### COLOR

Glossy transparent with chrome spacers - Other colors and size on demand.

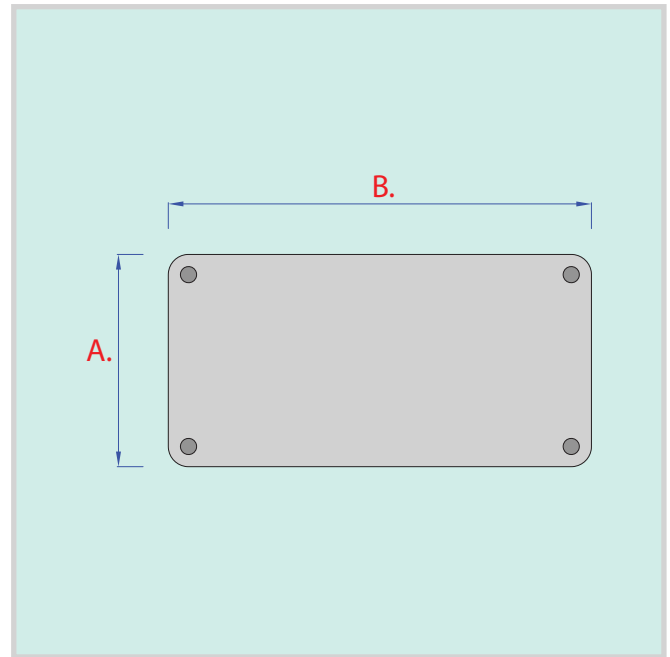
### CERTIFICATIONS

ISO 9001:2015 quality certification issued by TÜV Italia S.r.l.

MPS reserves the right to modify products without previous advice.

# PP41000KP4

FLAT PLATE ON THE WALL



## DESCRIPTION

Environmental signposting with flat plate made of Plexiglass with rounded corners. Compartment wall spacers, with concealed screw fixing system. Direct print or print on adhesive.

## SIZE

A. 297 x B. 1000 mm.

## COLOR

Glossy transparent with chrome spacers - Other colors and size on demand.

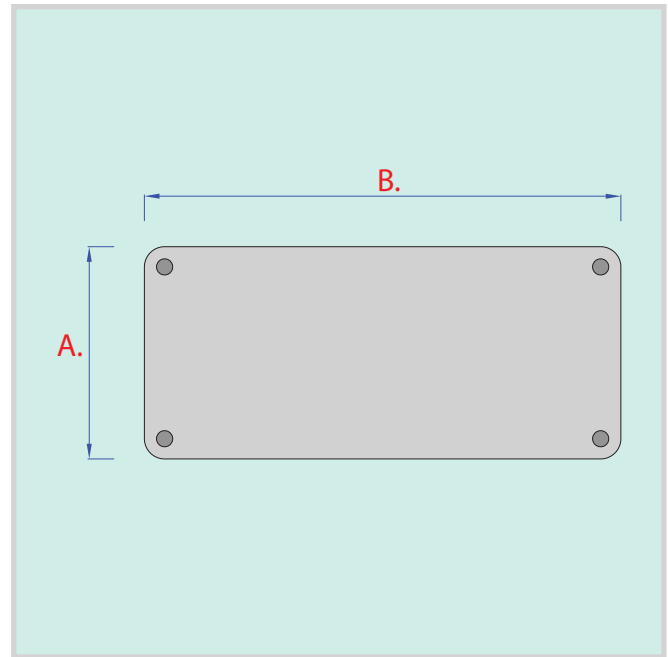
## CERTIFICATIONS

ISO 9001:2015 quality certification issued by TÜV Italia S.r.l.

MPS reserves the right to modify products without previous advice.

# PP41189KP4

FLAT PLATE ON THE WALL



## DESCRIPTION

Environmental signposting with flat plate made of Plexiglass with rounded corners. Compartment wall spacers, with concealed screw fixing system. Direct print or print on adhesive.

## SIZE

A. 297 x B. 1189 mm.

## COLOR

Glossy transparent with chrome spacers - Other colors and size on demand.

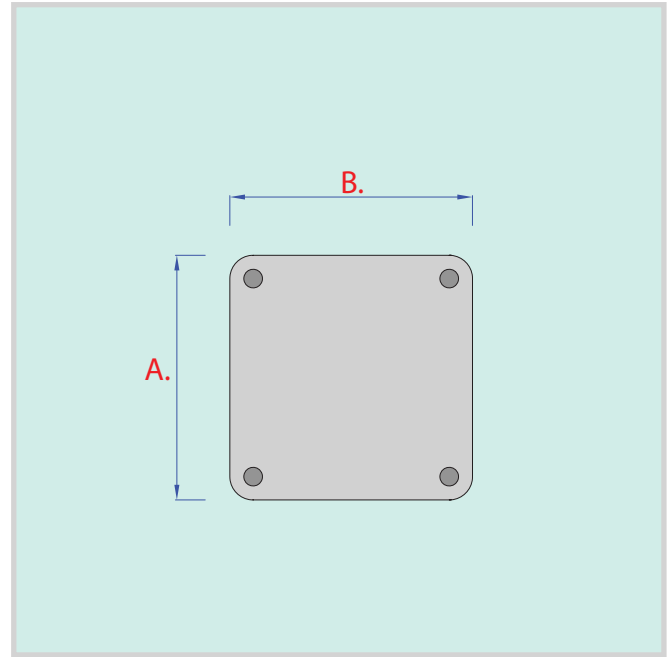
## CERTIFICATIONS

ISO 9001:2015 quality certification issued by TÜV Italia S.r.l.

MPS reserves the right to modify products without previous advice.

# PP5420KP4

FLAT PLATE ON THE WALL



## DESCRIPTION

Environmental signposting with flat plate made of Plexiglass with rounded corners. Compartment wall spacers, with concealed screw fixing system. Direct print or print on adhesive.

## SIZE

A. 420 x B 420 mm.

## COLOR

Glossy transparent with chrome spacers - Other colors and size on demand.

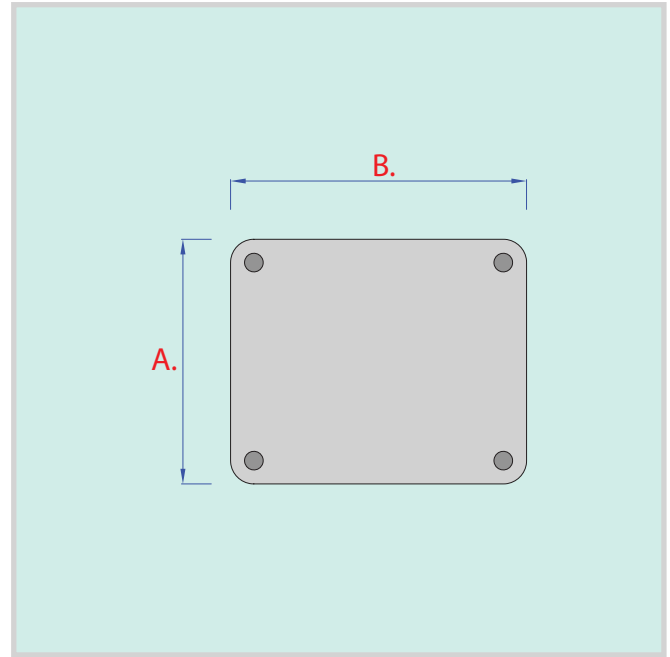
## CERTIFICATIONS

ISO 9001:2015 quality certification issued byTÜV Italia S.r.l.

MPS reserves the right to modify products without previous advice.

# PP5594KP4

FLAT PLATE ON THE WALL



## DESCRIPTION

Environmental signposting with flat plate made of Plexiglass with rounded corners. Compartment wall spacers, with concealed screw fixing system. Direct print or print on adhesive.

## SIZE

A. 420 x B. 594 mm.

## COLOR

Glossy transparent with chrome spacers - Other colors and size on demand.

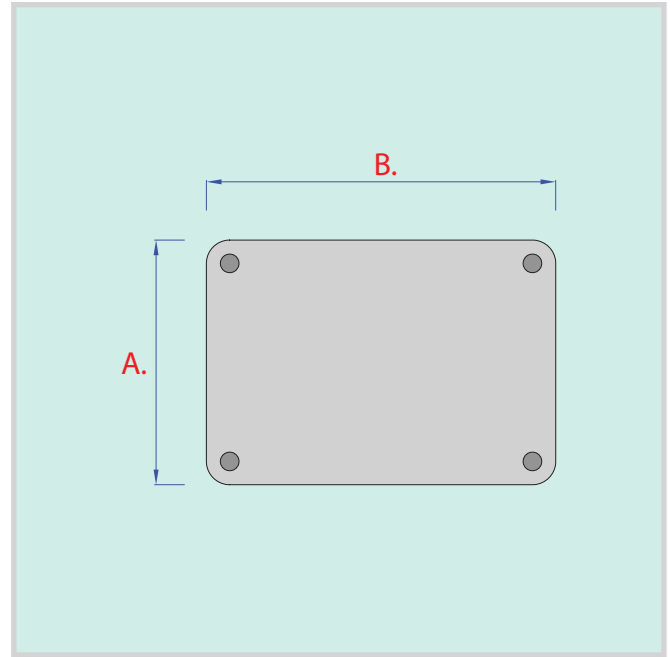
## CERTIFICATIONS

ISO 9001:2015 quality certification issued by TÜV Italia S.r.l.

MPS reserves the right to modify products without previous advice.

# PP5841KP4

## FLAT PLATE ON THE WALL



### DESCRIPTION

Environmental signposting with flat plate made of Plexiglass with rounded corners. Compartment wall spacers, with concealed screw fixing system. Direct print or print on adhesive.

### SIZE

A. 420 x B. 841 mm.

### COLOR

Glossy transparent with chrome spacers - Other colors and size on demand.

### CERTIFICATIONS

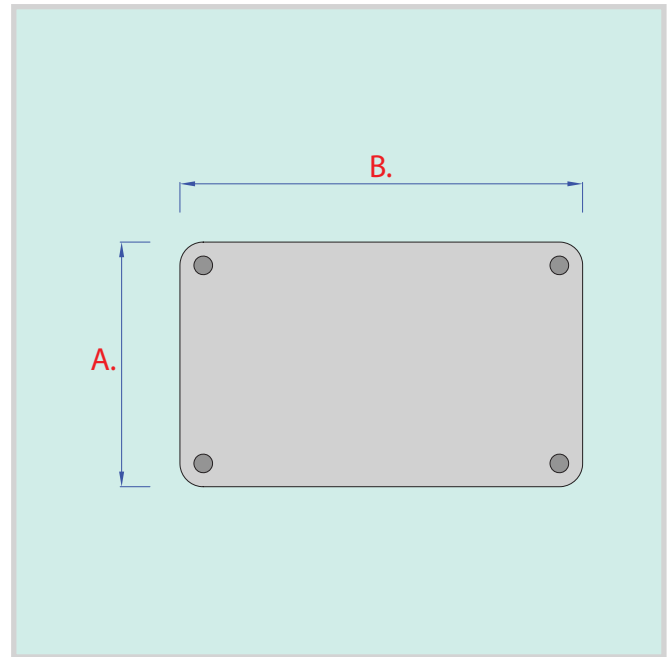
ISO 9001:2015 quality certification issued by TÜV Italia S.r.l.

MPS reserves the right to modify products without previous advice.



# PP51000KP4

FLAT PLATE ON THE WALL



## DESCRIPTION

Environmental signposting with flat plate made of Plexiglass with rounded corners. Compartment wall spacers, with concealed screw fixing system. Direct print or print on adhesive.

## SIZE

A. 420 x B. 1000 mm.

## COLOR

Glossy transparent with chrome spacers - Other colors and size on demand.

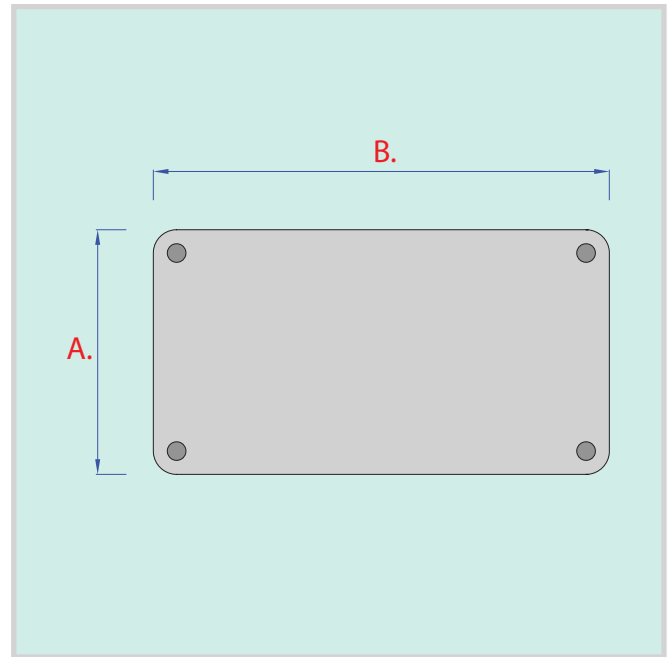
## CERTIFICATIONS

ISO 9001:2015 quality certification issued by TÜV Italia S.r.l.

MPS reserves the right to modify products without previous advice.

# PP51189KP4

FLAT PLATE ON THE WALL



## DESCRIPTION

Environmental signposting with flat plate made of Plexiglass with rounded corners. Compartment wall spacers, with concealed screw fixing system. Direct print or print on adhesive.

## SIZE

A. 420 x B. 1189 mm.

## COLOR

Glossy transparent with chrome spacers - Other colors and size on demand.

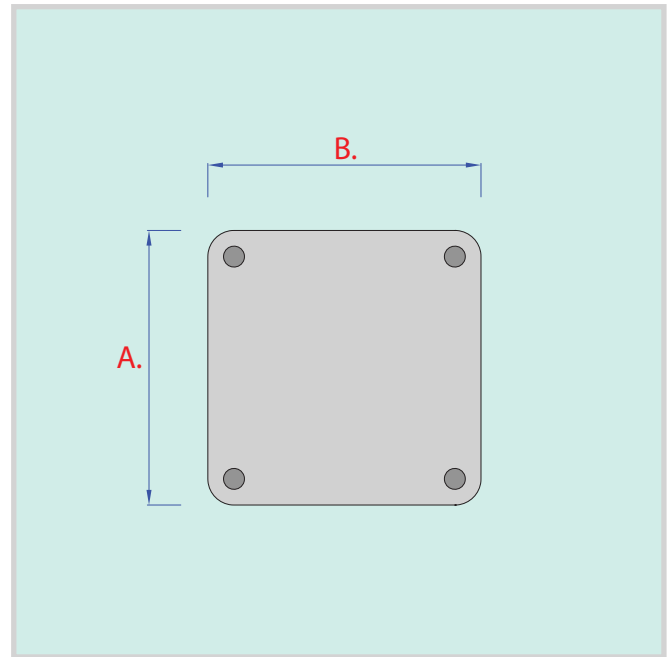
## CERTIFICATIONS

ISO 9001:2015 quality certification issued by TÜV Italia S.r.l.

MPS reserves the right to modify products without previous advice.

# PP6594KP4

FLAT PLATE ON THE WALL



## DESCRIPTION

Environmental signposting with flat plate made of Plexiglass with rounded corners. Compartment wall spacers, with concealed screw fixing system. Direct print or print on adhesive.

## SIZE

A. 594 x B. 594 mm.

## COLOR

Glossy transparent with chrome spacers - Other colors and size on demand.

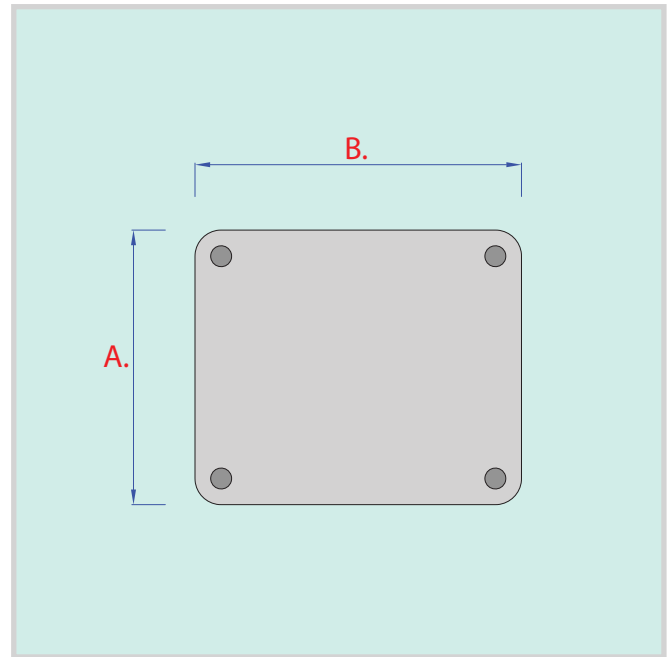
## CERTIFICATIONS

ISO 9001:2015 quality certification issued by TÜV Italia S.r.l.

MPS reserves the right to modify products without previous advice.

# PP6841KP4

FLAT PLATE ON THE WALL



## DESCRIPTION

Environmental signposting with flat plate made of Plexiglass with rounded corners. Compartment wall spacers, with concealed screw fixing system. Direct print or print on adhesive.

## SIZE

A. 594 x B. 841 mm.

## COLOR

Glossy transparent with chrome spacers - Other colors and size on demand.

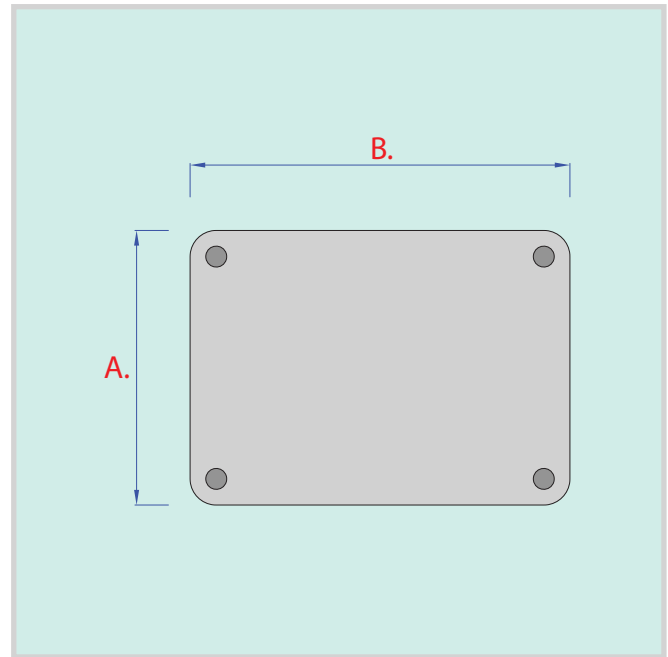
## CERTIFICATIONS

ISO 9001:2015 quality certification issued by TÜV Italia S.r.l.

MPS reserves the right to modify products without previous advice.

# PP61000KP4

FLAT PLATE ON THE WALL



## DESCRIPTION

Environmental signposting with flat plate made of Plexiglass with rounded corners. Compartment wall spacers, with concealed screw fixing system. Direct print or print on adhesive.

## SIZE

A. 420 x B. 1000 mm.

## COLOR

Glossy transparent with chrome spacers - Other colors and size on demand.

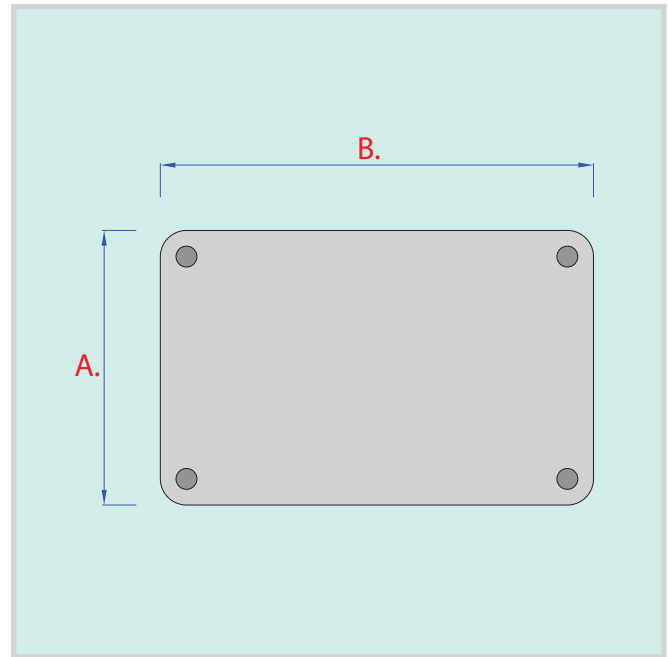
## CERTIFICATIONS

ISO 9001:2015 quality certification issued by TÜV Italia S.r.l.

MPS reserves the right to modify products without previous advice.

# PP61189KP4

FLAT PLATE ON THE WALL



## DESCRIPTION

Environmental signposting with flat plate made of Plexiglass with rounded corners. Compartment wall spacers, with concealed screw fixing system. Direct print or print on adhesive.

## SIZE

A. 594 x B. 1189 mm.

## COLOR

Glossy transparent with chrome spacers - Other colors and size on demand.

## CERTIFICATIONS

ISO 9001:2015 quality certification issued by TÜV Italia S.r.l.

MPS reserves the right to modify products without previous advice.