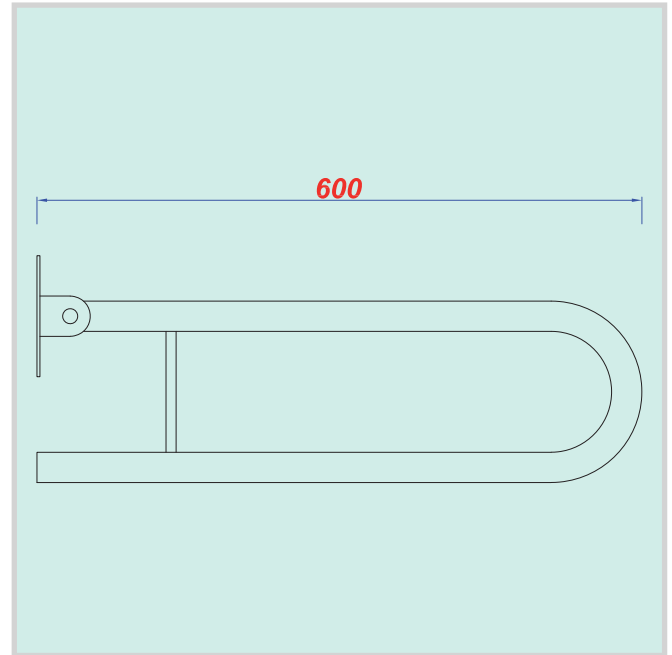


DATA SHEET

BSR60A

FOLDING HANDLE 600 mm.



DESCRIPTION

Folding handle in iron 600 mm., painted with epoxy-polyester powders
Tube diameter 30 mm. and thickness 1.5 mm.
Fixing with flange with 4 sealing points.
It does not require maintenance and is easy to clean, even with detergent products.

RANGE Load 150 kg.

MEASURES 600 mm.

COLOR White - RAL 9010

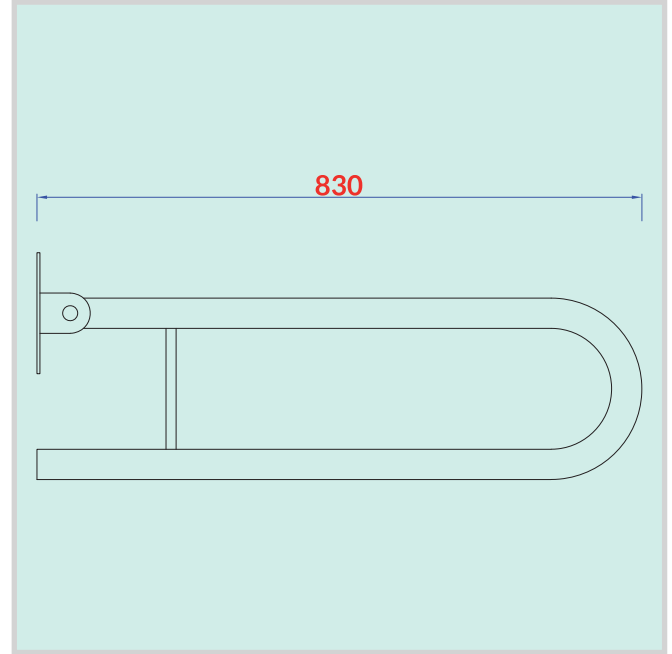
CERTIFICATIONS ISO 9001:2015 Quality Certification issued by TÜV Italia S.r.l.

MPS reserves the right to make any changes deemed necessary to improve the products without prior notice..

DATA SHEET

BSR83A

FOLDING HANDLE 830 mm.



DESCRIPTION

Folding handle in iron 830 mm., painted with epoxy-polyester powders
Tube diameter 30 mm. and thickness 1.5 mm.
Fixing with flange with 4 sealing points.
It does not require maintenance and is easy to clean, even with detergent products.

RANGE Load 150 kg.

MEASURES 830 mm.

COLOR White - RAL 9010

CERTIFICATIONS ISO 9001:2015 Quality Certification issued by TÜV Italia S.r.l.

MPS reserves the right to make any changes deemed necessary to improve the products without prior notice..