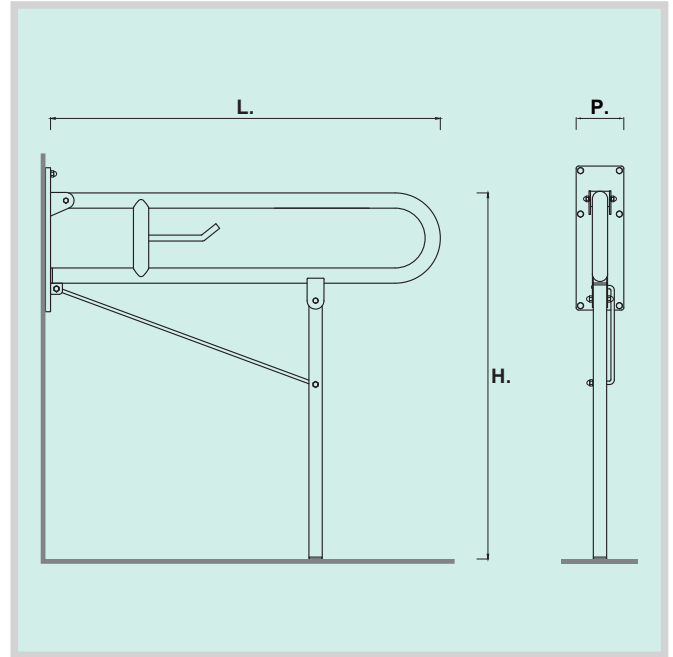


DATA SHEET

BSRG80A

FOLDING SUPPORT BAR WITH GROUND SUPPORT LEG



DESCRIPTION	Folding support bar with vertical rotation, in AISI 304 stainless steel, white finish. Roll holder and floor support leg. Length 800 mm. Stainless steel screws included. Anti-conductive kit included.
CHARACTERISTICS	It has a foldable leg to give greater support. Space utilization and locking in vertical position. Suitable for support near sinks, toilets-bidets, showers and bathtubs. Designed for toilets suitable for people with disabilities. Bacteriostatic stainless steel.
CLEANING	We recommend cleaning with a cotton cloth slightly dampened in a neutral soap solution. Then rinse and dry.
MEASURES	Diameter 32 mm. - L. 800 - H. 750 - P. 100 (mm)
RANGE	150 Kg.
COLOR	White.
CERTIFICATIONS	ISO 9001:2015 Quality Certification issued by TÜV Italia S.r.l.

MPS reserves the right to make any changes deemed necessary to improve the products without prior notice.