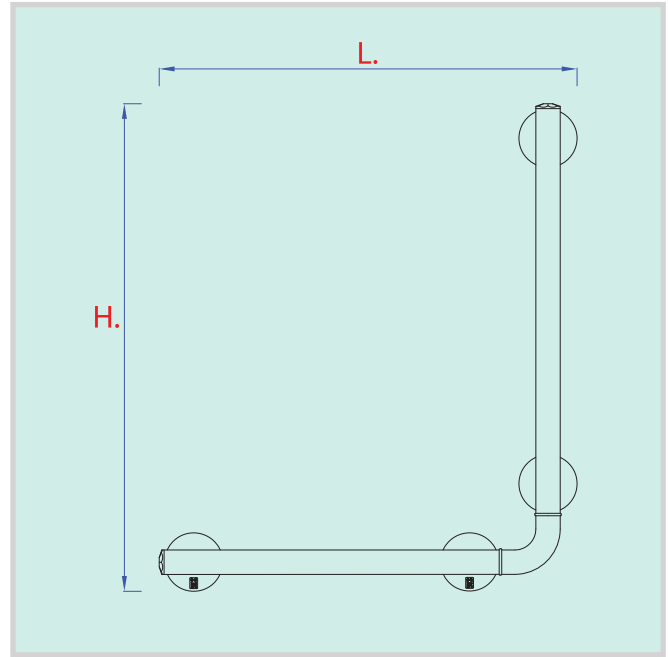
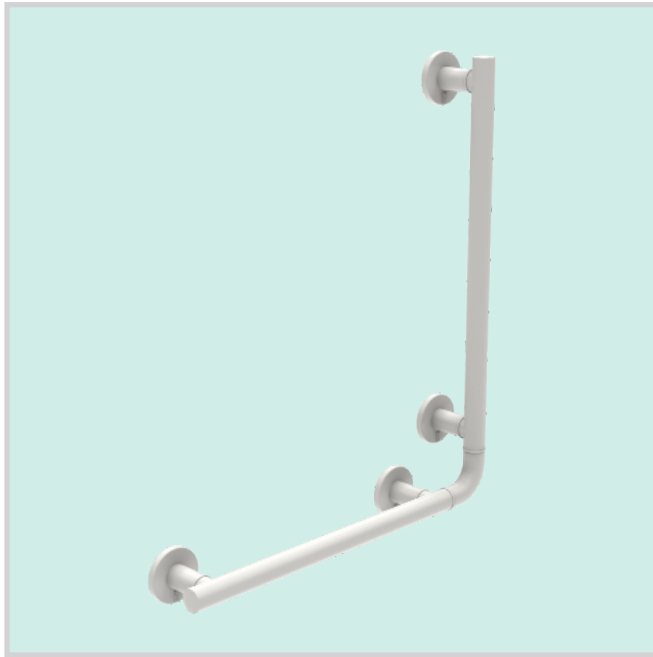


# GANG70604P

HORINTAL GRAB BAR WITH VERTICAL ELEMENT  
WITH FOUR FIXING POINTS



## DESCRIPTION

Horizontal grab bar  $\varnothing$  35 mm. with vertical element made of alluminum, th.2 mm.  
Cover made of dioxide Titanium Polymers, thickness 3,5 mm.  
Closing caps with nylon finishing made of nylon V0  
Multi holes fixing washers made of zinc coated steel with electrical insulation.  
Wall fixing through delivered screws and wall plugs.  
Absence of Cadmium, Lead and other heavy metals.  
Easy to clean and to maintain, even with detergents.

## LOAD

Up to 150 kg.

## SIZE

Including washers L. 600 x H. 700 mm.

## COLORS

Standard white, other colors on demand of MPS range

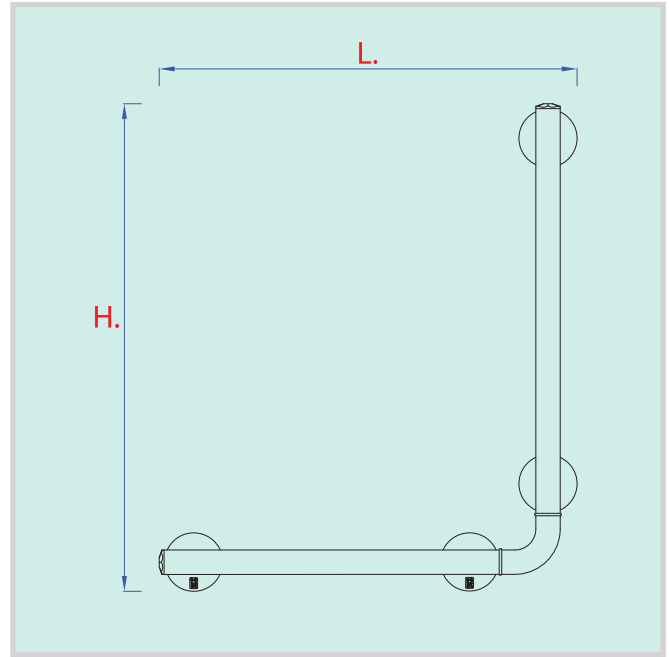
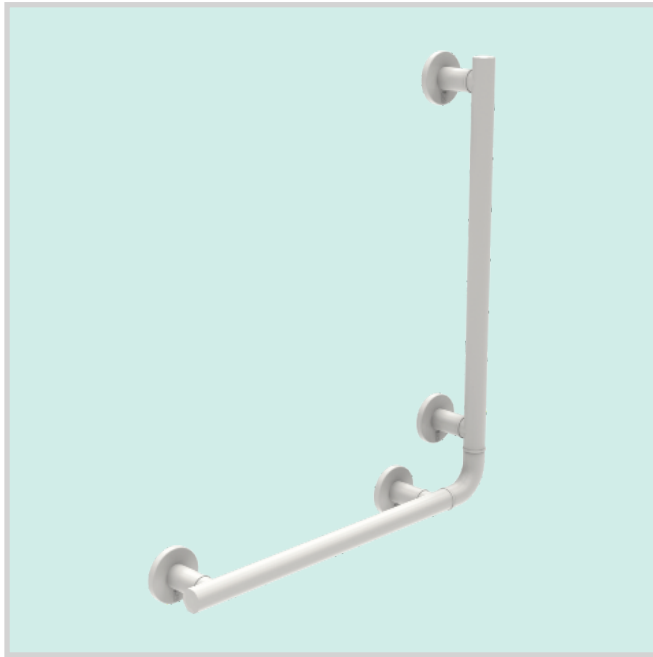
## CERTIFICATIONS

ISO 9001:2015 quality certification issued byTÜV Italia S.r.l.  
"Class 1" fire safe certification issued by the Italian Ministry.  
Absence of bacterial growth certification issued by CSI group IMQ.  
Declaration of quality office about absence of Cadmium and/or heavy metals.  
Declaration of quality office about bio-compatibility and recycling

MPS reserves the right to modify products without previous advice.

# GANG120604P

HORINTAL GRAB BAR WITH VERTICAL ELEMENT  
WITH FOUR FIXING POINTS



## DESCRIPTION

Horizontal grab bar  $\varnothing$  35 mm. with vertical element made of alluminum, th.2 mm.  
Cover made of dioxide Titanium Polymers, thickness 3,5 mm.  
Closing caps with nylon finishing made of nylon V0  
Multi holes fixing washers made of zinc coated steel with electrical insulation.  
Wall fixing through delivered screws and wall plugs.  
Absence of Cadmium, Lead and other heavy metals.  
Easy to clean and to maintain, even with detergents.

## LOAD

Up to 150 kg.

## SIZE

Including washers L. 600 x H. 1200 mm.

## COLORS

Standard white, other colors on demand of MPS range

## CERTIFICATIONS

ISO 9001:2015 quality certification issued by TÜV Italia S.r.l.  
"Class 1" fire safe certification issued by the Italian Ministry.  
Absence of bacterial growth certification issued by CSI group IMQ.  
Declaration of quality office about absence of Cadmium and/or heavy metals.  
Declaration of quality office about bio-compatibility and recycling

MPS reserves the right to modify products without previous advice.