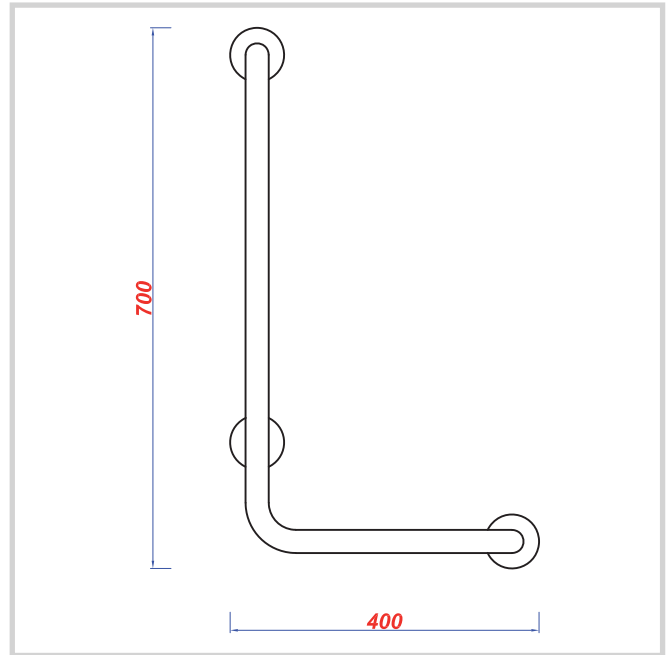


DATA SHEET

MOM70403A

CORNER HANDLE WITH THREE FIXING POINTS 700 x 400 mm.



DESCRIPTION

Left or right iron corner handle, painted with epoxy powders.
 Tube diameter 30 mm. and thickness 1.5 mm.
 Galvanized flange with 3 holes for wall fixing, diameter 70 mm.
 Flange cover in metal painted with epoxy powders.
 It does not require maintenance and is easy to clean, even with detergent products.

RANGE

Load 150 kg..

MEASURES

Including 700 x 400 mm rosettes.

COLOR

White - RAL 9010

CERTIFICATIONS

ISO 9001:2015 Quality Certification issued by TÜV Italia S.r.l.

MPS reserves the right to make any changes deemed necessary to improve the products without prior notice.