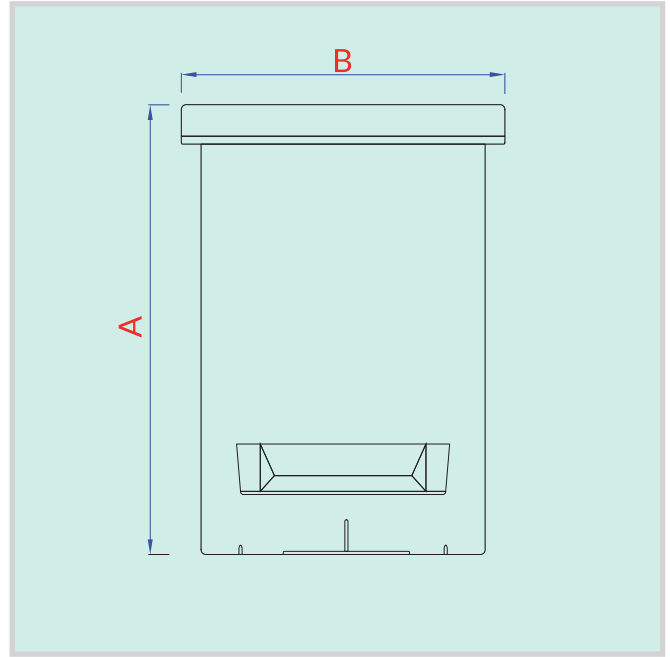


PPSE18G

DUSTBIN WITH PEDAL



DESCRIPTION

Pedal bin with removable bucket.
Material Polypropylene.
It requires no maintenance and is easy to clean, even with detergent products.

MATERIAL

Polypropylene «Moplen».

CAPACITY

18 Lt.

SIZE

A. 390 x B. 290 x P. 290 mm.

COLOR

White.

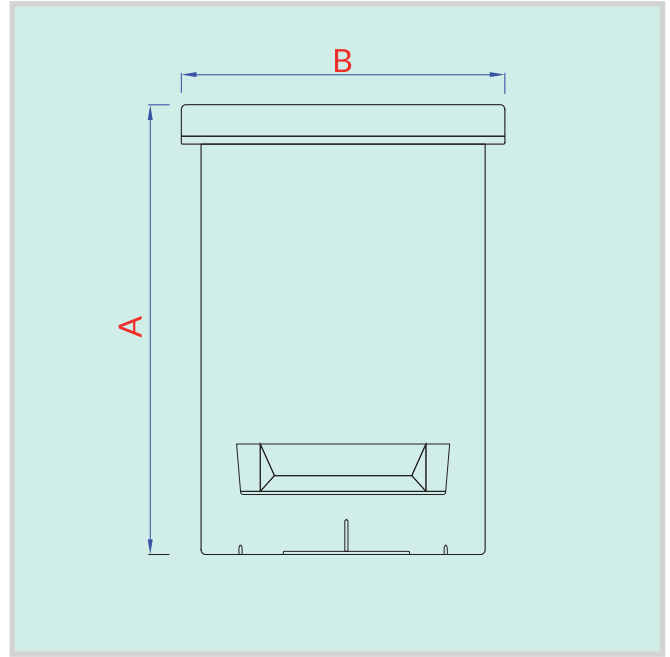
CERTIFICATIONS

ISO 9001:2015 quality certification issued by TÜV Italia S.r.l.

MPS reserves the right to modify products without previous advice.

PPSE6G

DUSTBIN WITH PEDAL



DESCRIPTION

Pedal bin with removable bucket.
Material Polypropylene.
It requires no maintenance and is easy to clean, even with detergent products.

MATERIAL

Polypropylene «Moplen».

CAPACITY

6 Lt.

SIZE

A. 280 x B. 210 x P. 210 mm.

COLOR

White.

CERTIFICATIONS

ISO 9001:2015 quality certification issued by TÜV Italia S.r.l.

MPS reserves the right to modify products without previous advice.