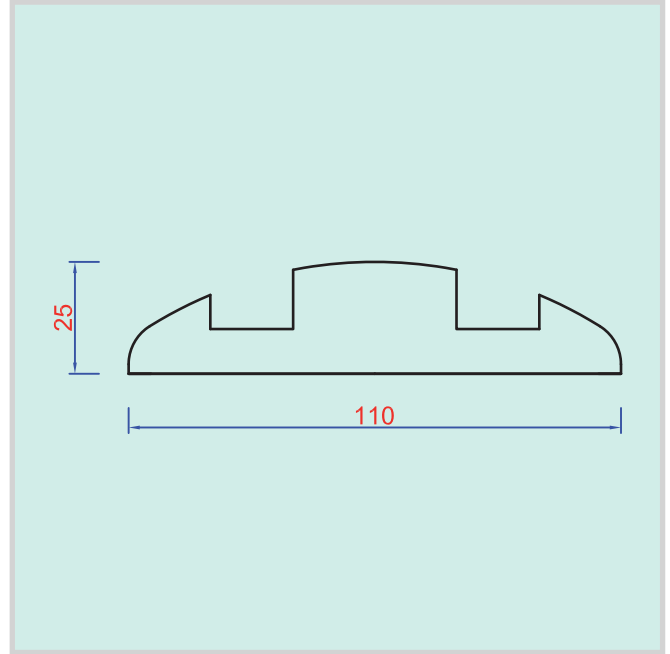
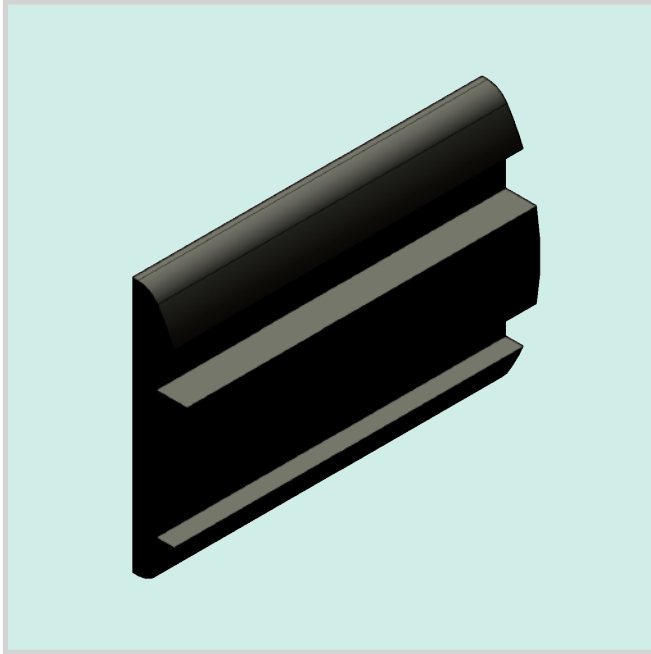


PG11025

RUBBER BUMPER



DESCRIPTION

Full NEOPRENE rubber bumper
Provides long-lasting impact protection for both indoor and outdoor installation.
Fixed with dowels and screws in the appropriate channels.

CHARACTERISTICS

Self-extinguishing
Good mechanical resistance 20 - 25 MPa
Good resistance to oils at low temperatures and acceptable at high temperatures
Good resistance to oxygen and aging
Fair resistance to acids
Flame resistance due to the presence of halides
Excellent resistance to sea water, salts, bases and diluted acids
Good mechanical properties
Excellent resistance to abrasion, tearing and fatigue
Excellent resistance to UV radiation
High impermeability to gases

RANGE

Impact resistance 1000 kg.

MEASURES

110 x 25mm. - in 3 m bars.

COLOR

Black

CERTIFICATIONS

ISO 9001:2015 Quality Certification issued by TÜV Italia S.r.l.

MPS reserves the right to make any changes deemed necessary to improve the products without prior notice.