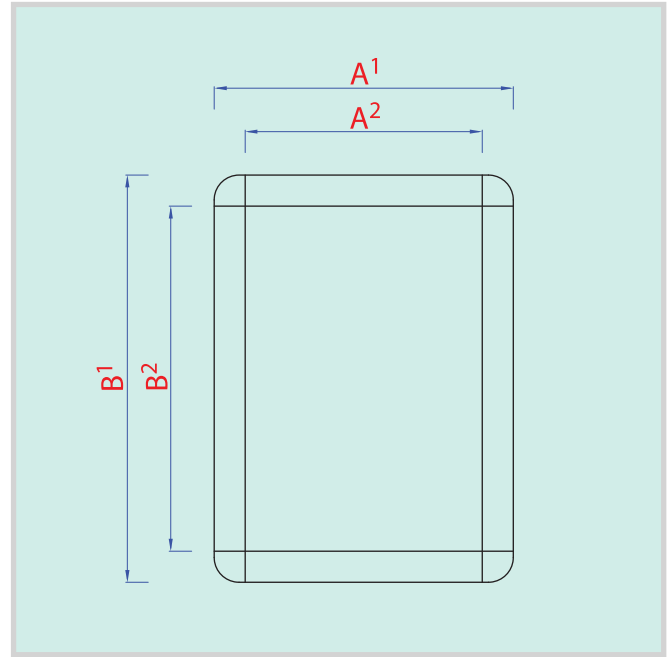
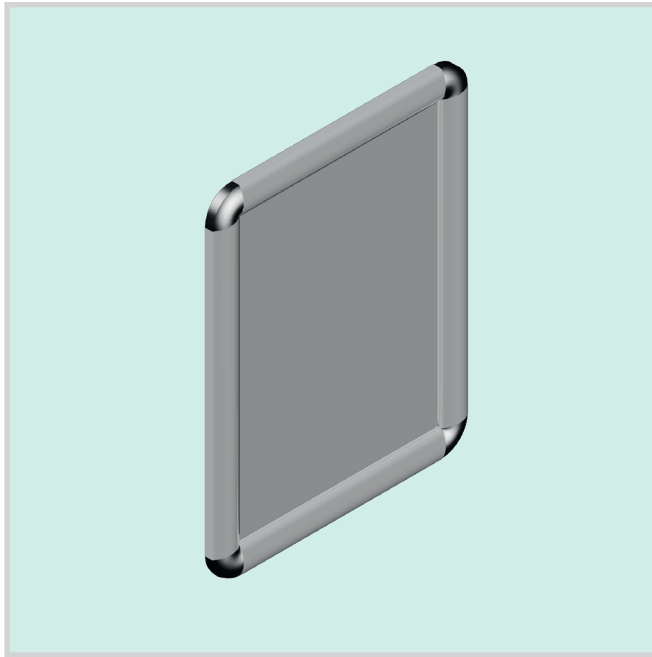


DATA SHEET

CSC25IW

SNAP FRAME WITH CHROME CORNERS



DESCRIPTION

Snap frame profile 25 mm. round corner chrome.
Anti-reflective PVC protection sheet.
Bottom in plastic material in PS 0.5mm.
Fixing kit included.

DIMENSIONS (mm.)			
CODE	PAPER FORMAT	EXTERIOR A ¹ x B ¹	INTERNAL A ² x B ²
CSC25IWA5	A5 - 148 x 210	179 x 241	128 x 210
CSC25IWA4	A4 - 210 x 297	241 x 328	190 x 277
CSC25IWA3	A3 - 297 x 420	328 x 451	277 x 400
CSC25IWA2	A2 - 420 x 594	451 x 625	400 x 574
CSC25IWA1	A1 - 594 x 841	625 x 872	574 x 821
CSC25IWB2	B2 - 500 x 700	531 x 731	480 x 680
CSC25IWB1	B1 - 700 x 1000	731 x 1031	680 x 980

COLOR

Aluminum with chrome corners

CERTIFICATIONS

ISO 9001:2015 Quality Certification issued by TÜV Italia S.r.l.

MPS reserves the right to make any changes deemed necessary to improve the products without prior notice.