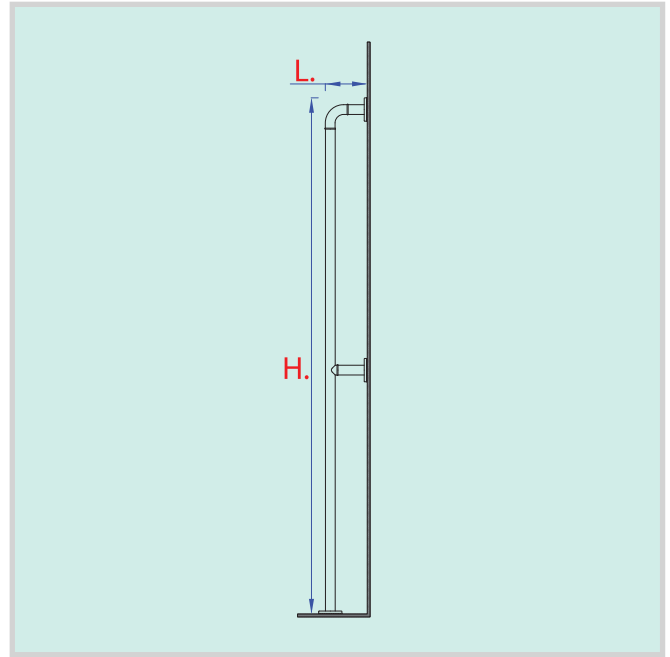
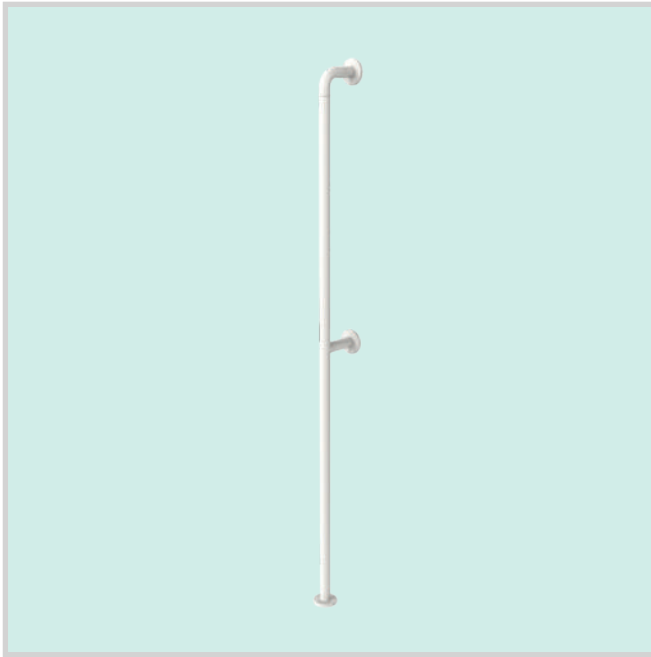


MPAV185P

WALL FLOOR VERTICAL GRAB BAR



DESCRIPTION

Wall floor vertical grab bar Ø 35 mm. made of alluminium, thickness 2 mm.
 Cover made of dioxide Titanium Polymers, thickness 3,5 mm.
 End caps, washers and under washers made of Nylon VO.
 Multi holes fixing washers made of zinc coated steel with electrical insulation.
 Wall fixing through delivered screws and wall plugs.
 Absence of Cadmium, Lead and other heavy metals.
 Easy to clean and to mantain, even with detergents.

LOAD

Up to 150 kg.

SIZE

Including washers L. 165 x H. 1850 mm.

COLOR

Standard white, other colors on demand of MPS range

CERTIFICATIONS

ISO 9001:2015 quality certification issued by TÜV Italia S.r.l.
 Fire reaction class certification B-s2,d0.
 Absence of bacterial growth certification issued by CSI group IMQ.
 Declaration of quality office about absence of Cadmium and/or heavy metals.
 Declaration of quality office about bio-compatibility and recycling

MPS reserves the right to change products without previous advice