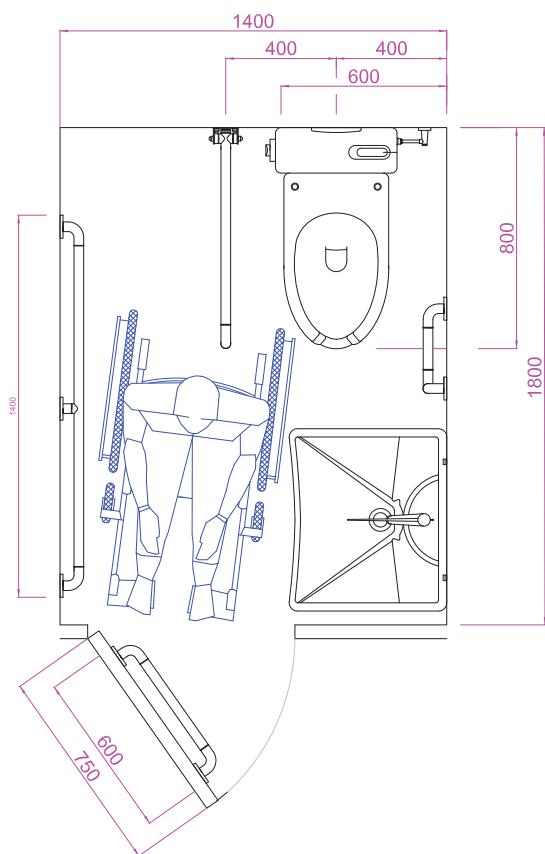
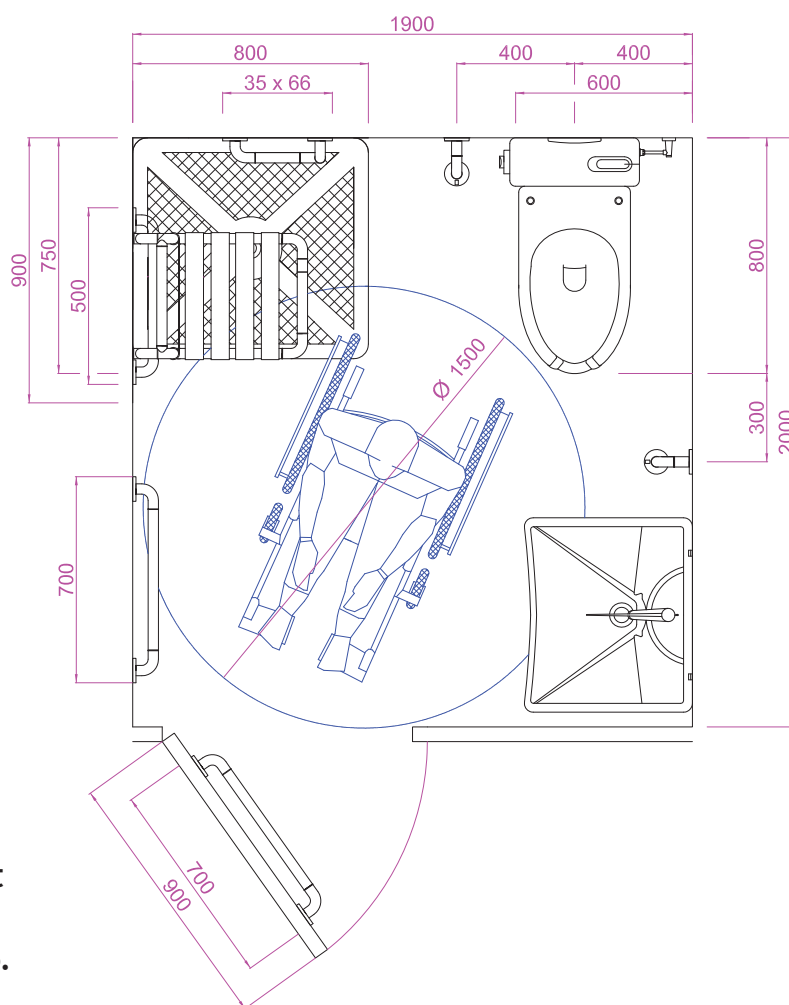


ASSISTED BATH



Minimum Project of Public Toilet Service

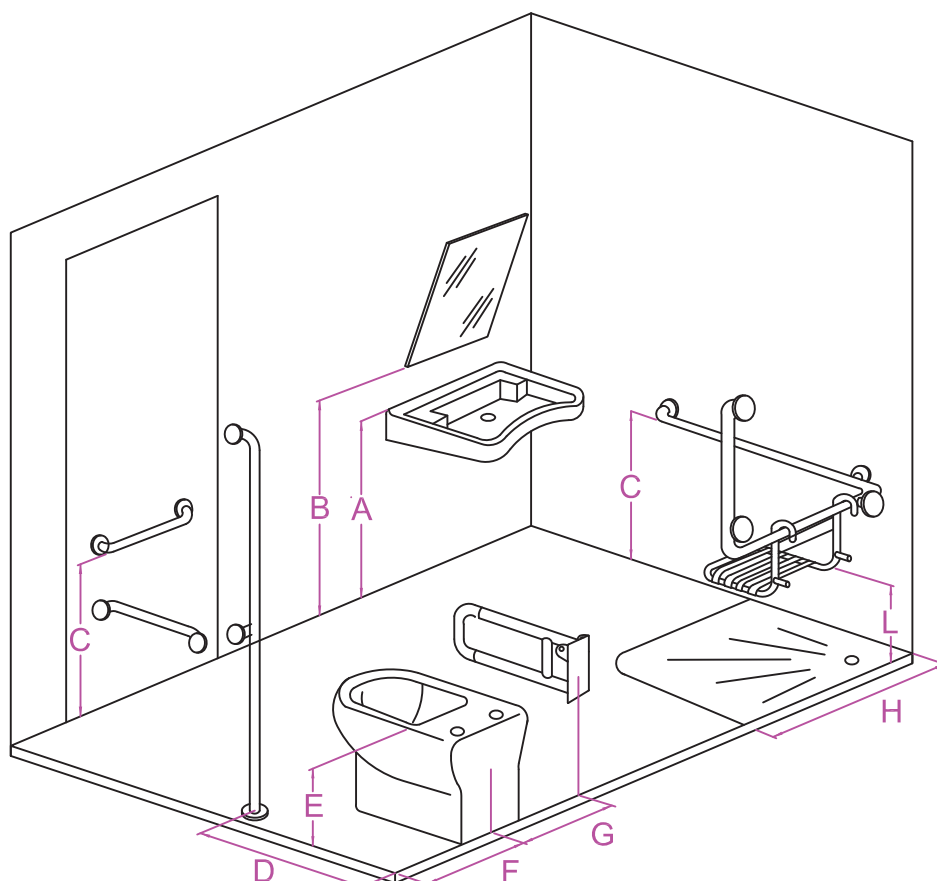
D.M. n. 236, Art. 8.1.6.



Public Toilet Service Project

D.M. n. 236, Art. 8.1.6.

BATHROOM FOR PUBLIC USE



WASHBASIN AREA

A Washbasin:	Maximum height 800 mm.
B Mirror:	Height between 900 mm and 1700 mm.
C Horizontal handle and handrail:	Maximum height 800 mm.

TOILET AREA

D Vertical handle:	Recommended distance from WC 1100mm.
E Sanitary WC - bidet:	Maximum height 500 mm.
F Minimum distance of the WC centre line from the side wall:	Minimum 400 mm.
G Recommended distance of lateral safety support from toilet wheelbase:	Minimum 400 mm.

SHOWER AREA

H Horizontal handle and handrail:	Massimo 800 mm.
I Minimum floor-level shower tray size:	900 x 900 mm.
L Shower seat seat:	Maximum height 500 mm.



MINIMUM REQUIREMENTS

MINISTERIAL DECREE n. 236 Art. 8.1.6.

Article 8.1.6 of the **Ministerial Decree - Ministry of Public Works 14 June 1989, n. 236** "Technical requirements necessary to guarantee the accessibility, adaptability and visitability of private buildings and subsidized and facilitated public housing, for the purpose of overcoming and eliminating architectural barriers" establishes the **minimum dimensional requirements for an accessible bathroom**:

- the space required for approaching and lateral transfer from the wheelchair to the toilet bowl and bidet, where applicable, must be at least 1000 mm. measured from the axis of the sanitary appliance;
- the space required for the lateral approach of the wheelchair to the bathtub must be at least 1400 mm. along the bathtub with a minimum depth of 800 mm.;
- the space required for the frontal approach of the wheelchair to the sink must be at least 800 mm. measured from the front edge of the sink;
- sinks must have the upper surface placed 800 mm from the floor (A) and must always be without a column with a siphon, preferably of the adjacent or built-in wall type;
- toilets and bidets are preferably of the suspended type, in particular the axis of the toilet bowl or bidet must be placed at a minimum distance of 400 mm from the side wall (F), the front edge 750 - 800 mm from the rear wall and the upper surface 450 - 500 mm from the floor (E). If the axis of the bowl, toilet or bidet is more than 400 mm from the wall, a handle or handrail must be provided 400 mm from the axis of the sanitary appliance to allow transfer (G);
- the shower must be on the floor, equipped with a folding seat and a handheld shower (H).

In **accessible housing in subsidized residential buildings**, it must also be possible to equip the premises with horizontal and/or vertical grab bars and handrails near the appliances; the type and characteristics of the grab bars or handrails must comply with the specific needs that can be identified after the accommodation is assigned and installed on that occasion.

In the toilets of **premises open to the public**, it is necessary to provide and install a handrail near the toilet, placed at a height of 80 mm from the floor, and with a diameter of 30 - 40 mm; if fixed to the wall, it must be placed 50 mm from it.

In **cases of adaptation**, the elimination of the bidet and the replacement of the bathtub with a walk-in shower is permitted in order to obtain, even without substantial modifications to the premises, a lateral space to approach the toilet and to define sufficient maneuvering spaces.

In **residential housing in which the requirement of visitability is foreseen**, the toilet is considered accessible if it is possible to reach at least one toilet. and a sink, by a person in a wheelchair. Reaching the sanitary appliance means being able to get to the direct proximity of it, even without approaching it from the side for the toilet bowl and from the front for the sink.